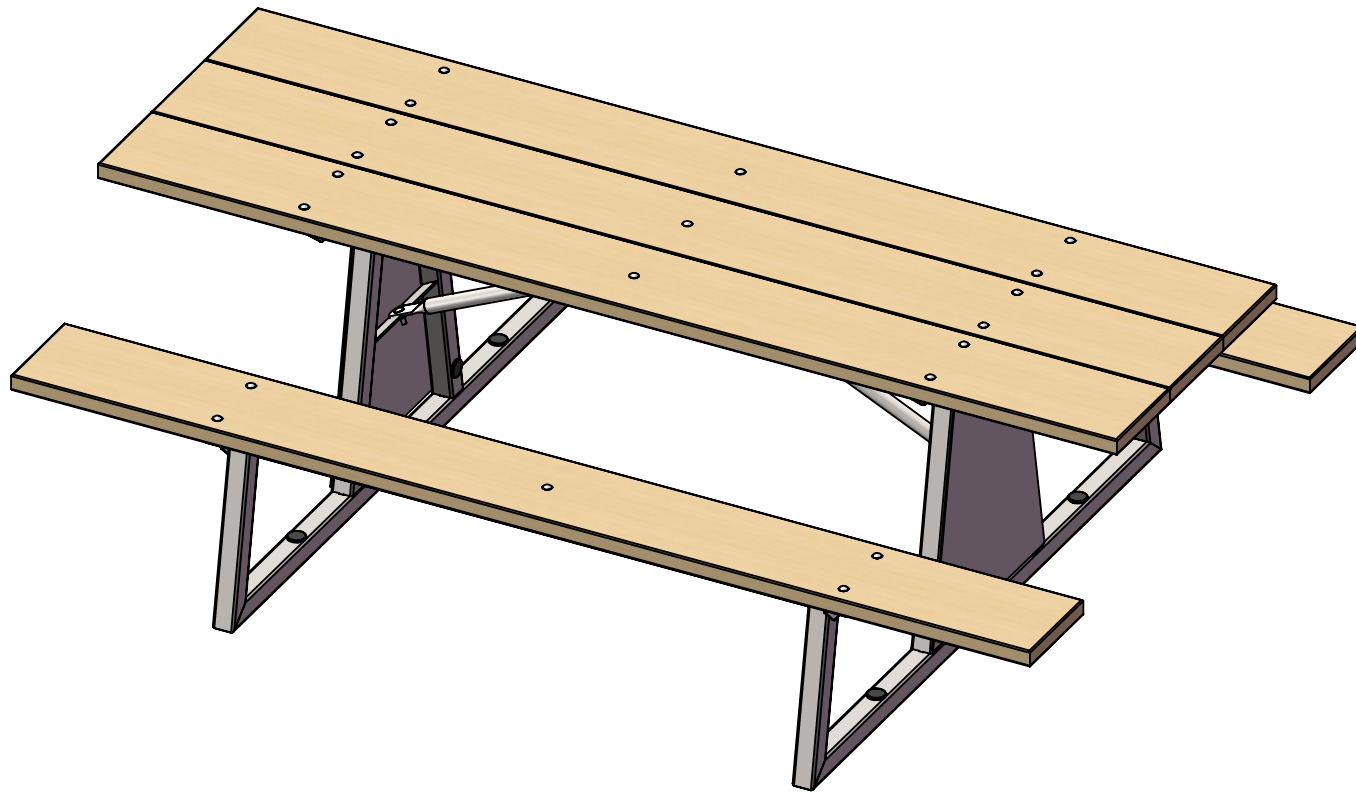




A PLAYCORE Company



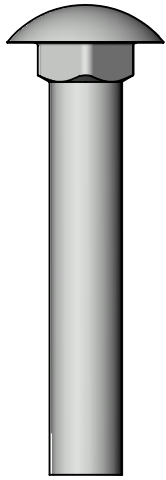
Model # 236-R8



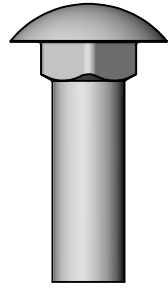
SAFETY WARNINGS & EQUIPMENT INSPECTION

- Owners and installers please note these safety warnings and make use of this checklist on a regular basis.
- Follow installation instructions when erecting equipment.
- Ground surfaces around equipment should be restored as needed. Concrete footings should never be exposed. Surface depth should comply with ASTM and CPSC specifications.
- Check for and repair damage caused by wear or vandalism, a major factor in injury causing situations.
- All protruding bolts should be covered or cut off and finished smooth. Sharp edges on pipes should be capped or removed. Check for bent, broken, or severely worn pipe, and replace.
- All equipment should be free of rust and repainted whenever necessary to deter rusting.
- We provide our customers with layout sheets and installation instructions. Please keep on file the specifications sheet that contains the listing of every part used.
- Never add components not intended for use with this product.
- Regular maintenance is necessary in this and all park and recreational equipment to insure the safety of the user.
- Note: Proper maintenance of equipment requires regular tightening of all bolts, nuts, and setscrews.
- Note: Regular checking of all parts, castings, etc. should be made. If a part is broken or worn, it should be replaced immediately.
- Check to be sure all fittings are tight and that bars and pipes do not move.
- Replace all worn S-hooks. S-hooks must be completely closed. Failure to close S-hooks can result in serious injury to the user. NEVER reuse S-hooks.
- Test for free movement of swing hanger and other moving attached parts.
- Check for worn chains and replace them.
- A soft resilient surface should be placed under all swings extending at least twice the height of the top rail both front and back.

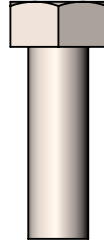
HARDWARE



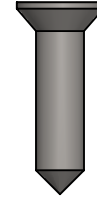
3/8" x 2-1/4"
Carriage Bolt



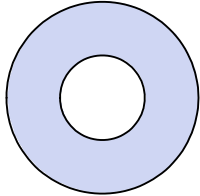
3/8" x 1-1/4"
Carriage Bolt



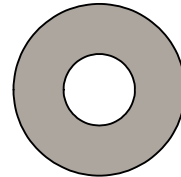
5/16" x 1"
Machine Bolt



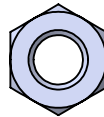
#14 x 1"
Wood Screw



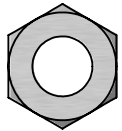
3/8" Washer



5/16" Washer

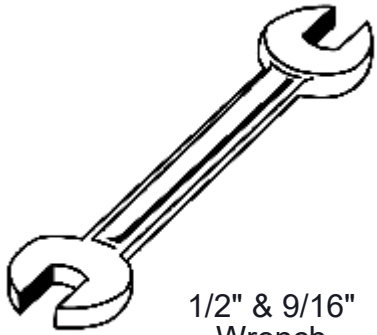


5/16" Hex Nut

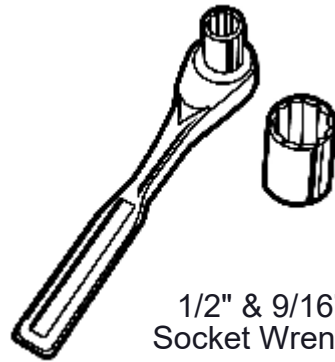


3/8" Hex Nut

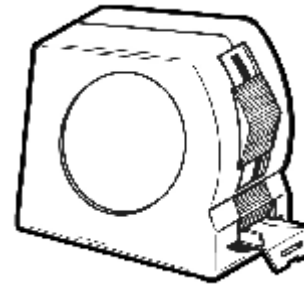
TOOLS REQUIRED



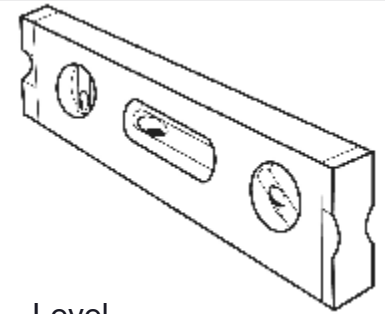
1/2" & 9/16"
Wrench



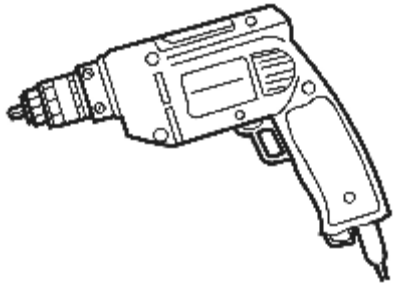
1/2" & 9/16"
Socket Wrench



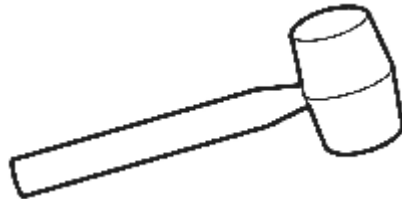
Tape Measure



Level



Drill with Phillips Bit



Rubber Mallet

ULTRA SITE PRODUCT SPECIFICATIONS

236-R8 8' PORTABLE PICNIC TABLE WALK-THROUGH DESIGN

Top & Seats: Minimum of 96% commingled post-consumer or post-industrial recycled plastic. With a maximum of 4% due to various additives including color and UV stabilization to obtain desirable properties.

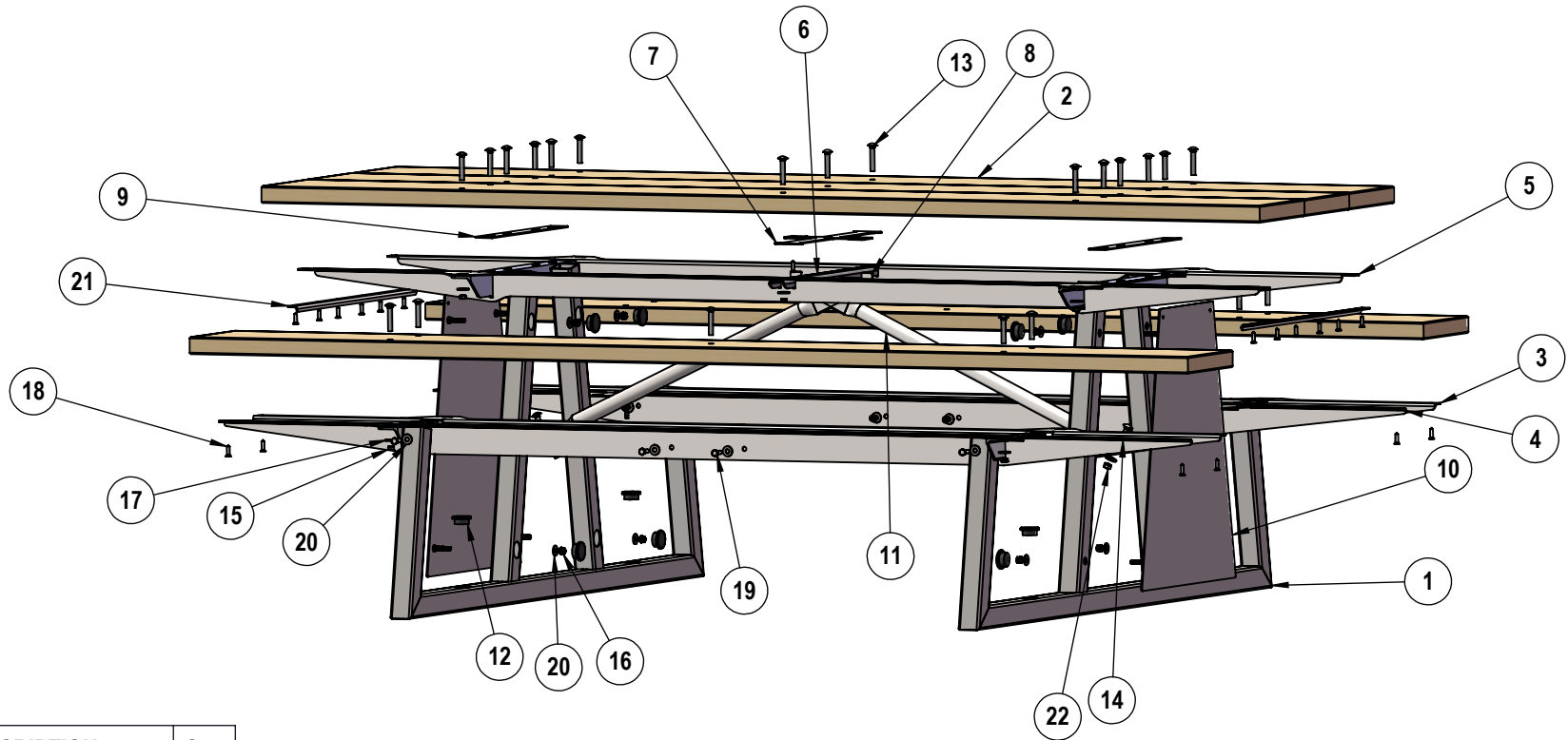
Frame: 2" Square x 11 gauge pre-galvanized structural steel tubing. Brace attachment points 1-1/2" x 1-1/2" x 3/16" steel angle. Seat and top mounting points are 2" x 2" 7 gauge formed angle. All tabletop and seat mounting brackets shall be precision punched. Cross braces 1 5/16" O.D. x 14 gauge pregalvanized structural steel tubing. Superstructure angles shall be formed 12 gauge steel plate. One 1 1/2" x 3/4" x 1/8" x 26 1/2" center channel shall be mechanically fastened to the bottom side of tabletop to prevent warping of wood. All electrically MIG welded.

Frame Coating: Electrostatic powder coated application oven cured.

Hardware: Zinc and Stainless Steel plated fasteners.

Dimensions: 8' portable picnic table walk-through design. Top is 28-1/2" wide x 96" long and is 30 5/8" high. Seats are 9-1/2" wide x 96" long and 18 1/4" high. Outside to outside dimension is 59 1/2" x 96".

COMPONENTS

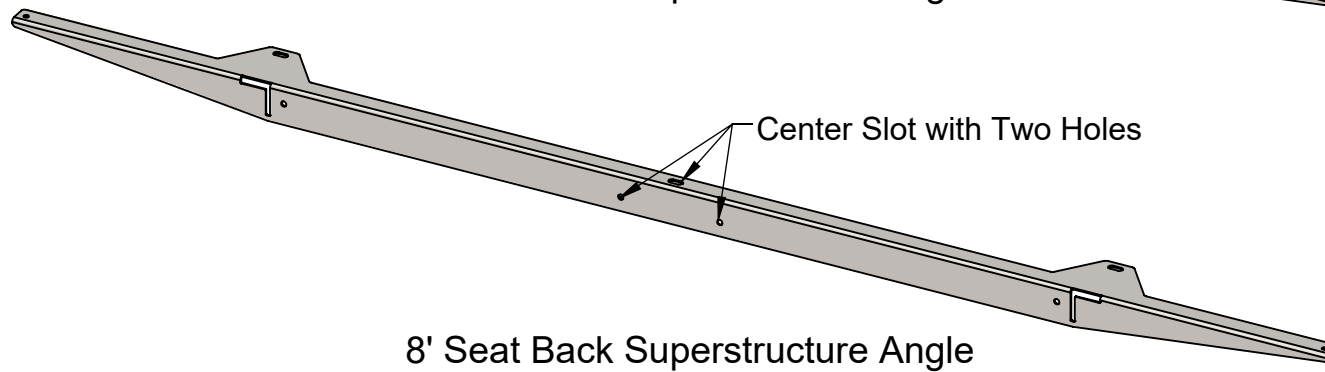
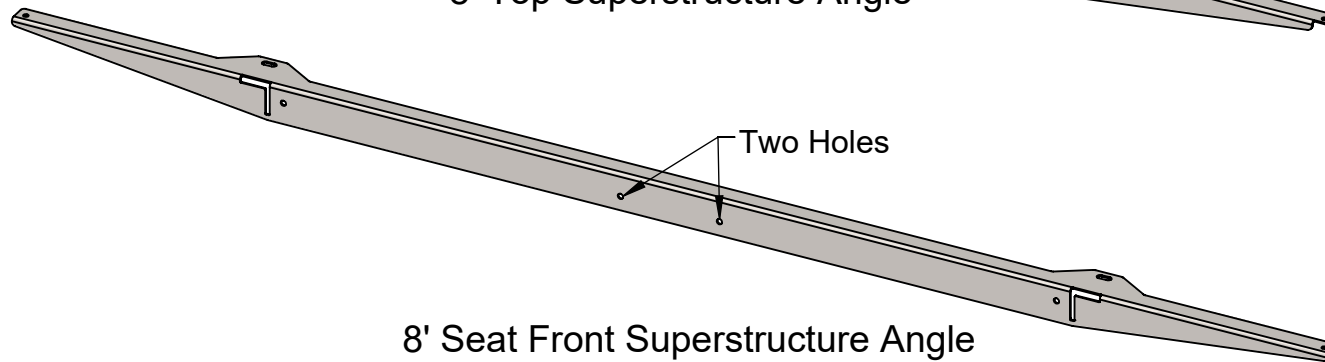
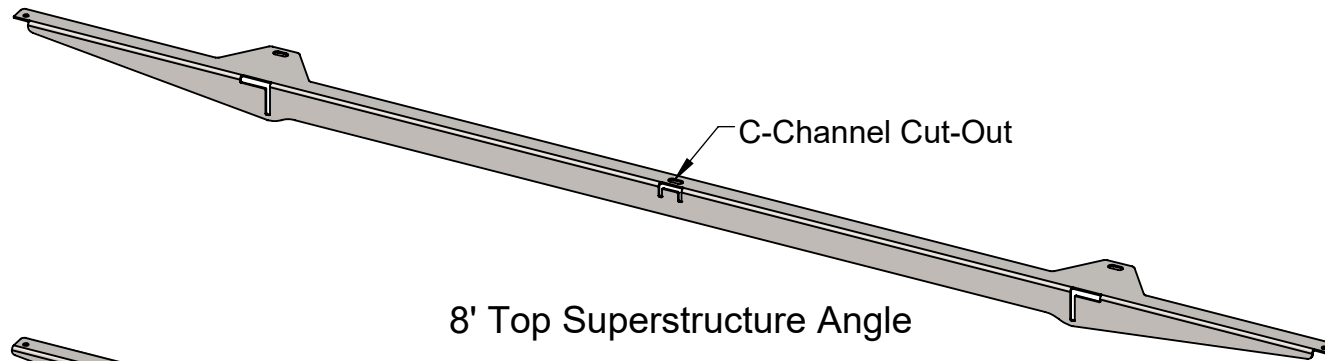


| ITEM NO. | PartNo | DESCRIPTION | Qty. |
|----------|---------------|---|------|
| 1 | 01-04-0964 | 236 wood leg | 2 |
| 2 | XXX96-2x10-ST | 2 x 10 Recycled Plastic Seat/Top Plank (8') | 5 |
| 3 | 01-04-0515 | 8' seat front recycled plastic superstructure angle | 2 |
| 4 | 01-04-0516 | 8' seat back recycled plastic superstructure angle | 2 |
| 5 | 01-04-0518 | 8' top recycled plastic superstructure angle | 2 |
| 6 | 01-04-0507 | center c channel 3 slot (new) (1-1/2" sq x 11ga rectangular tube) | 1 |
| 7 | 01-04-0511 | center cross spacer plate | 1 |
| 8 | 01-04-0508 | wood table center bracket | 1 |
| 9 | 01-04-0510 | table top spacer strip | 2 |
| 10 | 01-04-0967 | 236 leg end plate | 2 |
| 11 | 01-04-0966 | 31-7/8" wood brace | 2 |

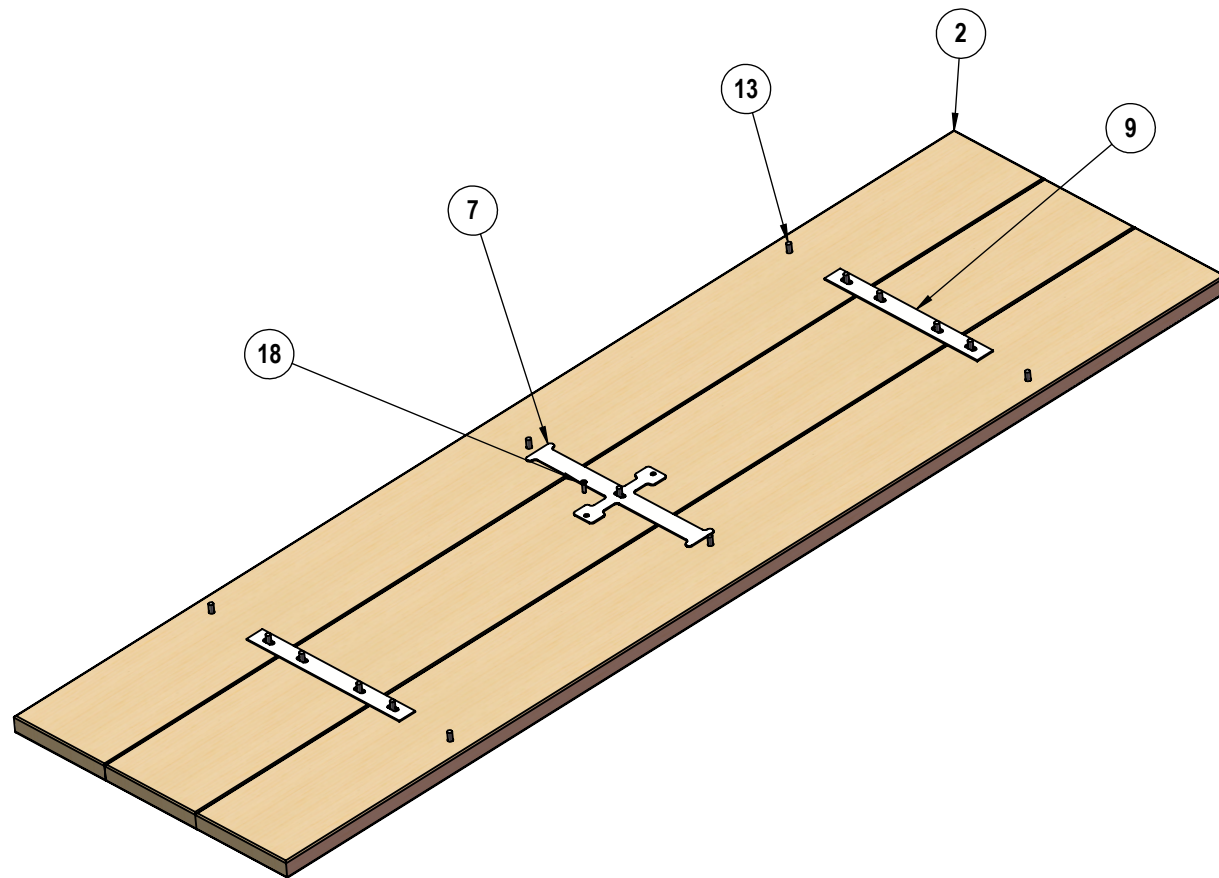
| ITEM NO. | PartNo | DESCRIPTION | Qty. |
|----------|------------|--------------------------------------|------|
| 12 | 33-08-0004 | 1-5/8" 14-18 ga. round ribbed insert | 12 |
| 13 | 33-06-0016 | 3/8" x 2-1/4" Carriage Bolt (Zinc) | 25 |
| 14 | 33-06-0032 | 3/8" x 1-1/4" Carriage Bolt (Zinc) | 3 |
| 15 | 33-01-0001 | 5/16" Hex Nut (Zinc) | 33 |
| 16 | 33-03-0016 | 5/16" Kep Nut (zinc) | 8 |
| 17 | 33-02-0002 | 3/8" Zinc Plated Washer | 28 |
| 18 | 33-05-0012 | #14 x 1" wood screw | 21 |
| 19 | 33-05-0001 | 5/16" x 1" Machine Bolt (Zinc) | 8 |
| 20 | 33-02-0001 | 5/16" Zinc Plated Washer | 24 |
| 21 | 01-04-0512 | recycled table top end support angle | 2 |
| 22 | 33-01-0002 | 3/8" Hex Nut (Zinc) | 3 |

Optional Surface Mount Hardware:
3/8" x 3-1/2" Concrete Expansion Anchor Bolts
(Not Included)

SUPERSTRUCTURE IDENTIFICATION



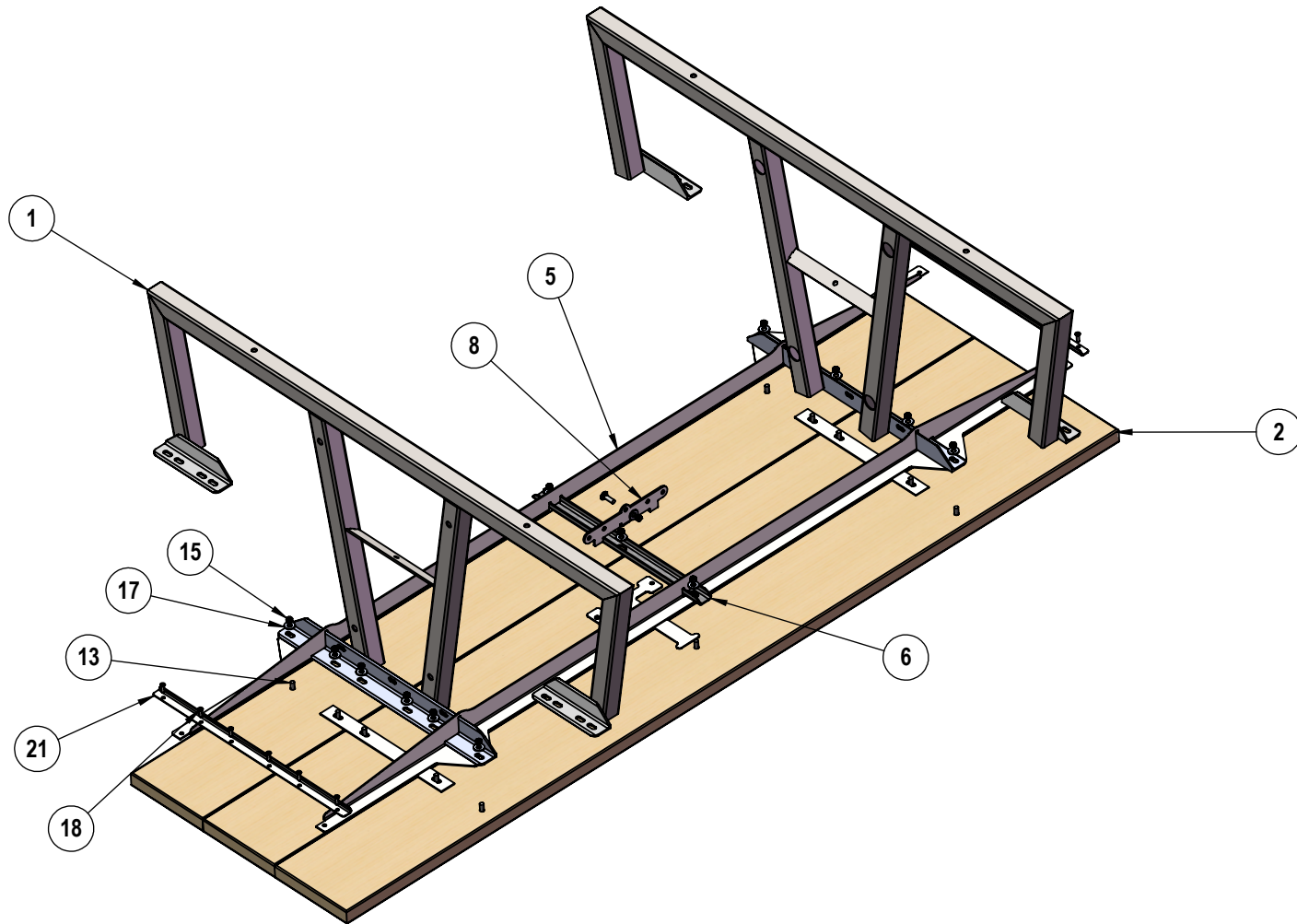
STEP 1



Insert the 5/16" x 2-1/4" Carriage Bolts through 3 Recycled Planks for the top, lightly tap the Carriage Bolts with a rubber mallet to seat the Carriage Bolts into the recycled plastic. Place the Table Top Center Strips and Center Cross Spacer Plate on the corresponding hardware like shown. Attach the Center Cross Spacer Plate with a #14 x 1" Wood Screw.

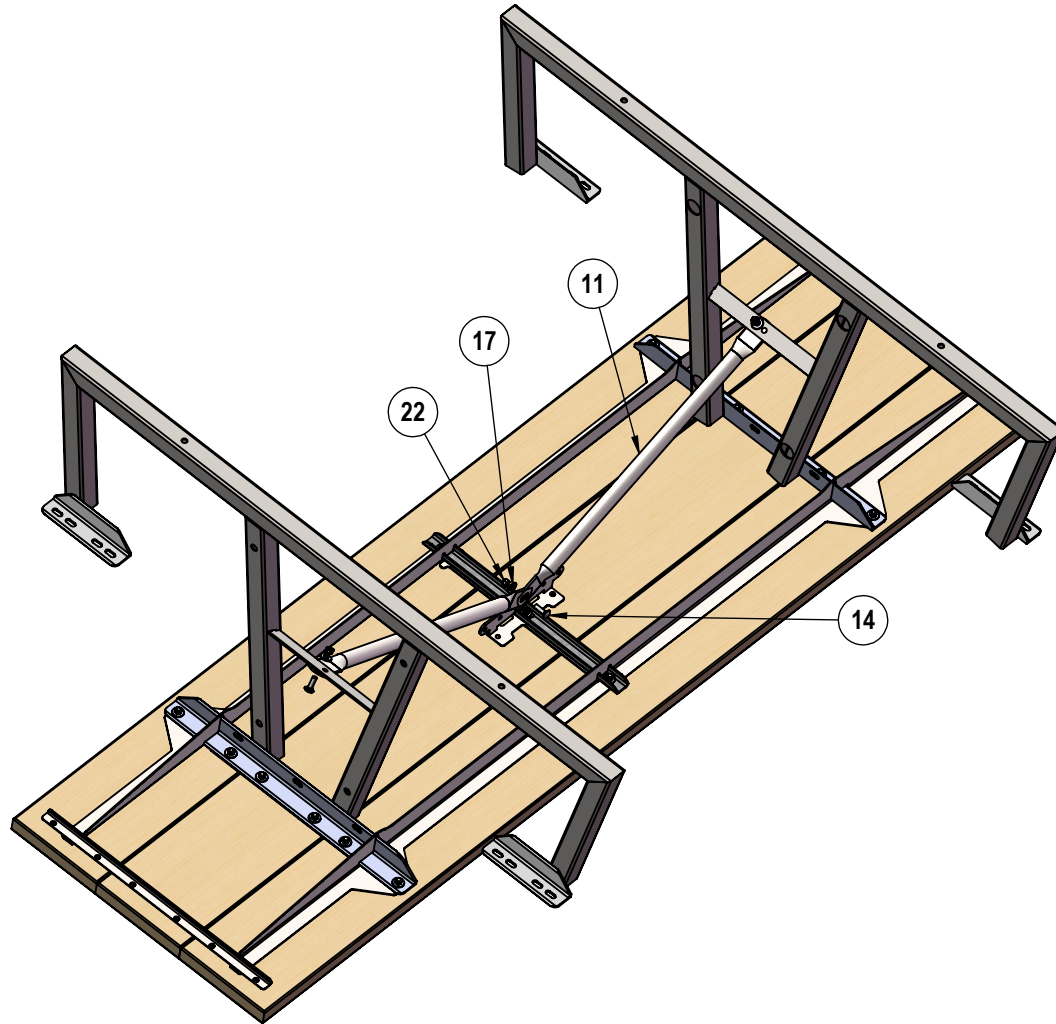
NOTE: Seating the square head of the carriage bolts into the recycled plastic helps prevent the bolt from spinning during assembly.

STEP 2



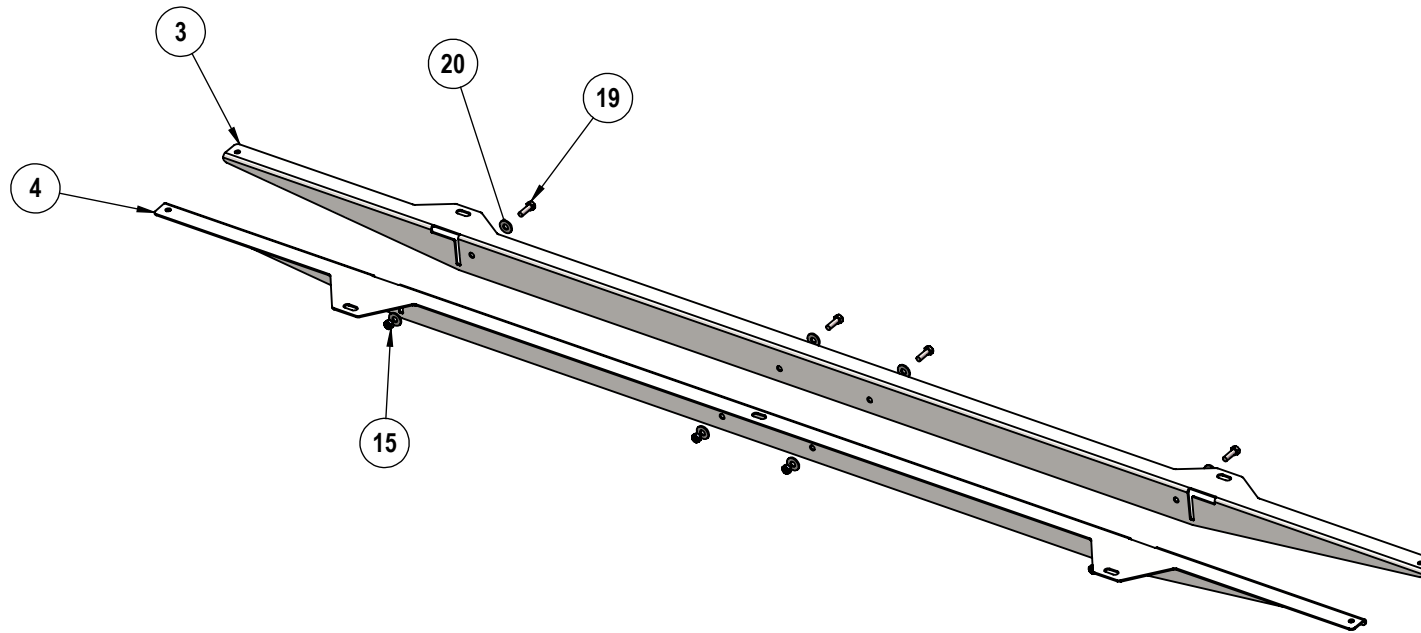
Slide the Top Superstructure Angles on the Top Angle of the 236 Frames. The Slots in the superstructure shall be lined up with the outer slots in the Top Angle of the 236 Frames. Slide the Center C-Channel through the middle slot of the Top Superstructure. Attach partial assembly to the Top boards aligning with the hardware previously installed. Attach the Wood Table Center Bracket using the center bolt in the middle plank and the Table Top End Support Angles using the specified hardware.

STEP 3



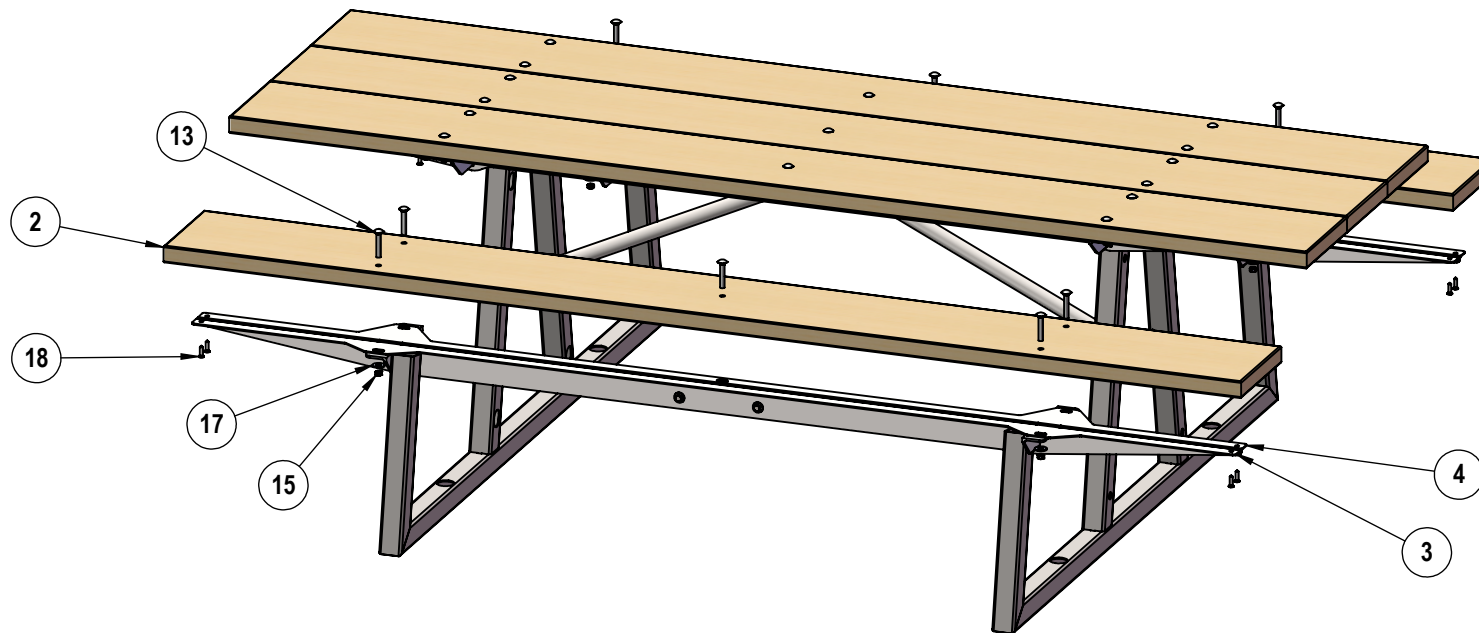
Attach the 33-3/16" Braces to the 236 Frames and the Wood Table Center Bracket using the specified hardware. Braces will attach to the center hole of the Wood Table Center Bracket.

STEP 4



Assemble the Front and Back Seat Superstructure Angles together using the specified hardware. Repeat for both Seats.

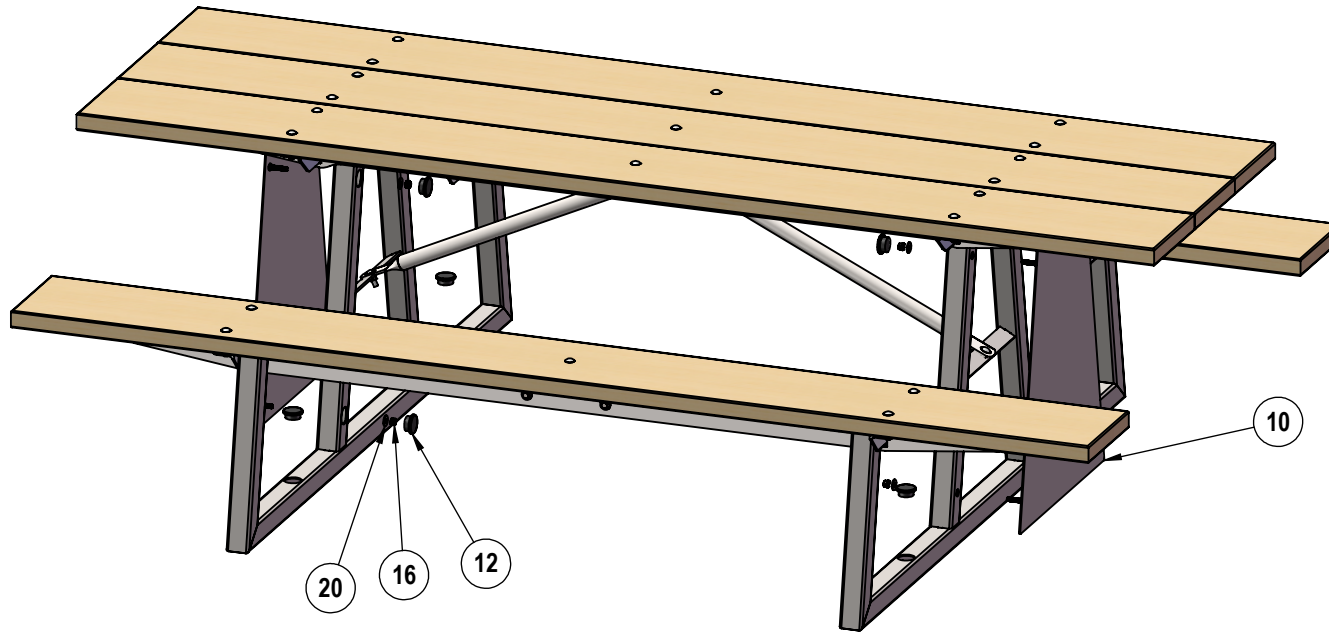
STEP 5



Slide the Seat Superstructure Angle Assembly onto the 236 Frames as shown. The Back Seat Superstructure angle will point toward the center of the the table. Lightly tap the Carriage Bolts with a rubber mallet to seat the Carriage Bolts into the recycled plastic. Attach the Seat Superstructure Angles and Recycled Planks to the 236 Frames using the specified hardware. The bolt in the center hole of the Recycled Seat Planks will attach to the Back Seat Superstructure Angle.

NOTE: Seating the square head of the carriage bolts into the recycled plastic helps prevent the bolt from spinning during assembly.

STEP 6



Install item #10 using specified hardware. If surface mounting, insert item #12 after surface mounting and installing item #10

OVERALL DIMENSIONS

