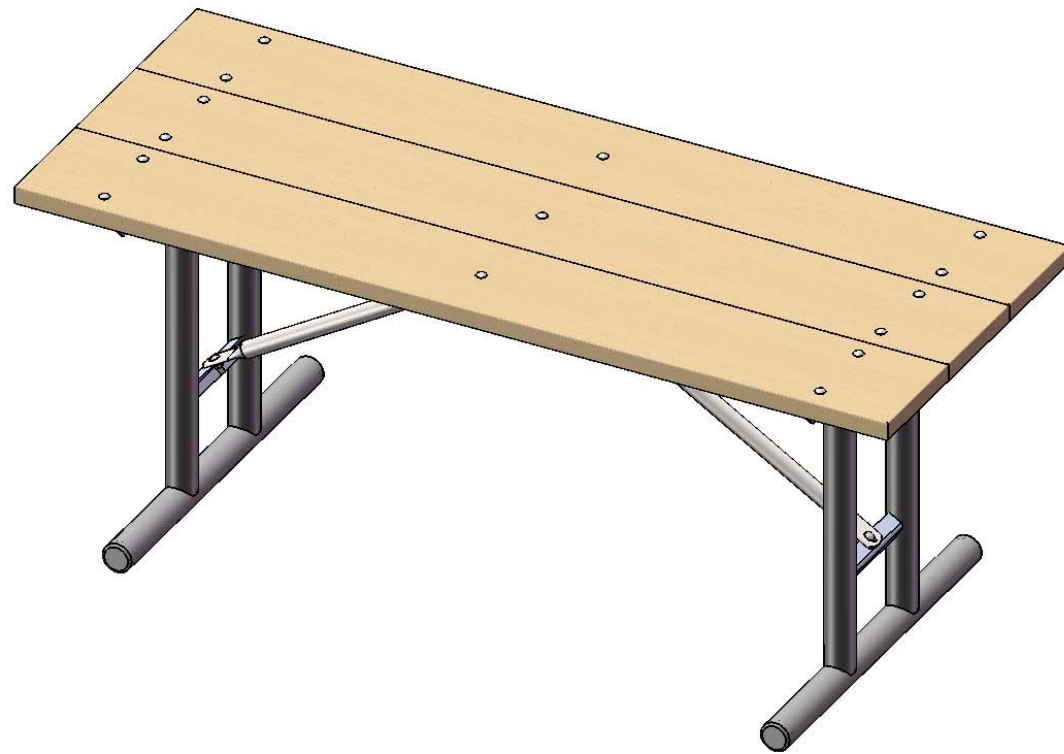




A PLAYCORE Company



Model # 238U-W6

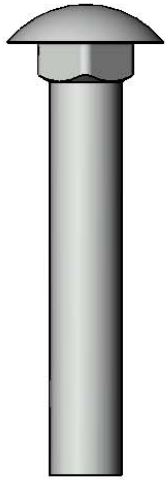


A PLAYCORE Company

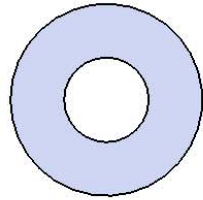
SAFETY WARNINGS & EQUIPMENT INSPECTION

- Owners and installers please note these safety warnings and make use of this checklist on a regular basis.
- Follow installation instructions when erecting equipment.
- Ground surfaces around equipment should be restored as needed. Concrete footings should never be exposed. Surface depth should comply with ASTM and CPSC specifications.
- Check for and repair damage caused by wear or vandalism, a major factor in injury causing situations.
- All protruding bolts should be covered or cut off and finished smooth. Sharp edges on pipes should be capped or removed. Check for bent, broken, or severely worn pipe, and replace.
- All equipment should be free of rust and repainted whenever necessary to deter rusting.
- We provide our customers with layout sheets and installation instructions. Please keep on file the specifications sheet that contains the listing of every part used.
- Never add components not intended for use with this product.
- Regular maintenance is necessary in this and all park and recreational equipment to insure the safety of the user.
- Note: Proper maintenance of equipment requires regular tightening of all bolts, nuts, and setscrews.
- Note: Regular checking of all parts, castings, etc. should be made. If a part is broken or worn, it should be replaced immediately.
- Check to be sure all fittings are tight and that bars and pipes do not move.
- Replace all worn S-hooks. S-hooks must be completely closed. Failure to close S-hooks can result in serious injury to the user. NEVER reuse S-hooks.
- Test for free movement of swing hanger and other moving attached parts.
- Check for worn chains and replace them.
- A soft resilient surface should be placed under all swings extending at least twice the height of the top rail both front and back.

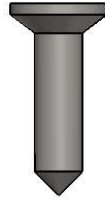
HARDWARE



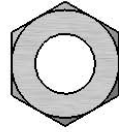
3/8" x 2-1/4"
Carriage Bolt



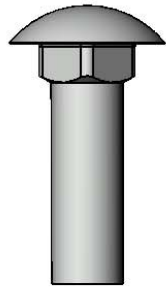
3/8" Washer



#14 x 1"
Wood Screw

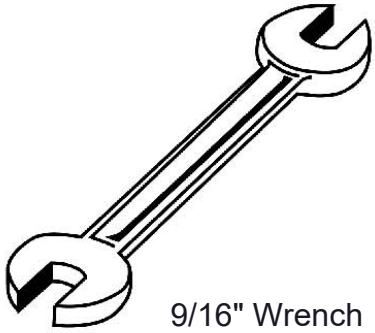


3/8" Hex Nut



3/8" x 1-1/4"
Carriage Bolt

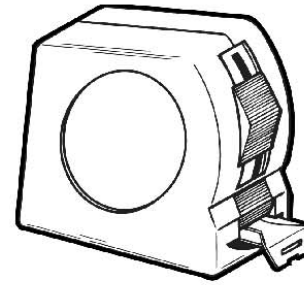
TOOLS REQUIRED



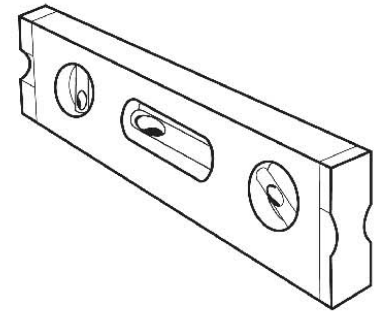
9/16" Wrench



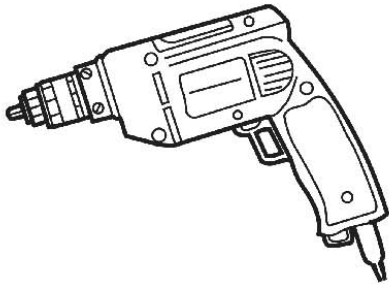
9/16" Socket Wrench



Tape Measure



Level



Drill with Phillips Bit

ULTRA SITE PRODUCT SPECIFICATIONS

238U-W6 6' PORTABLE UTILITY TABLE

Top & Seats: Pressure Treated - 2" x 4" No. 1 Southern Yellow Pine pressure treated lumber.
Redwood Stain - 2" x 4" No. 1 Southern Yellow Pine with a redwood stain wood preservative
Untreated - 2" x 4" No.1 Southern Yellow Pine

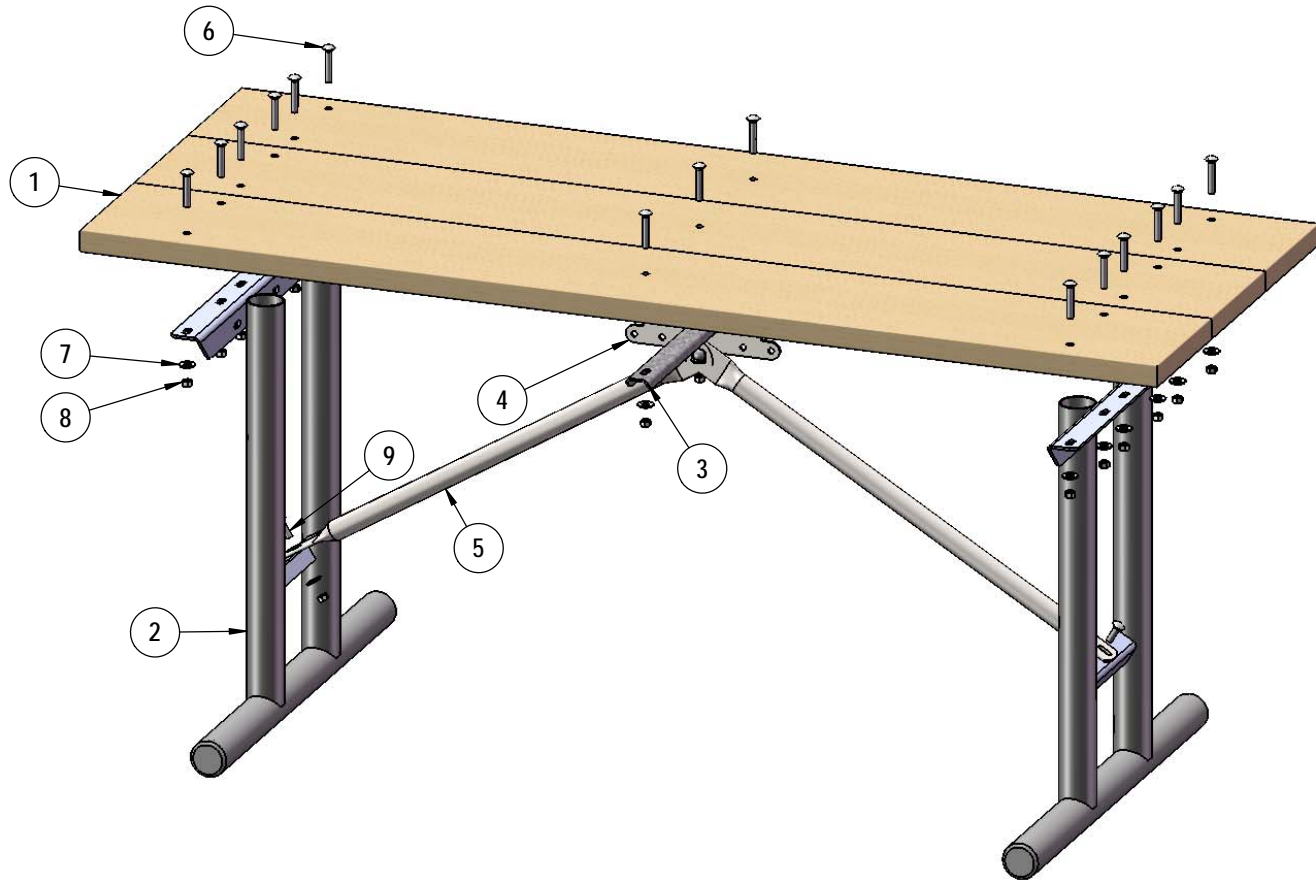
Frame: 2 -3/8" O.D. x 12 gauge pre-galvanized structural steel tubing. Brace attachment points 1-1/2" x 1-1/2" x 3/16" steel angle. Top mounting points are 2" x 2" 7 gauge formed angle. All electrically MIG welded. Cross braces 1 5/16" O.D. x 14 gauge pregalvanized structural steel tubing. One 1 1/2" x 3/4" x 1/8" x 26 1/2" center channel shall be mechanically fastened to the bottom side of tabletop to prevent warping of wood.

Frame Coating: Electrostatic powder coated application oven cured, or hot dipped galvanized after fabrication.

Hardware: Zinc plated fasteners.

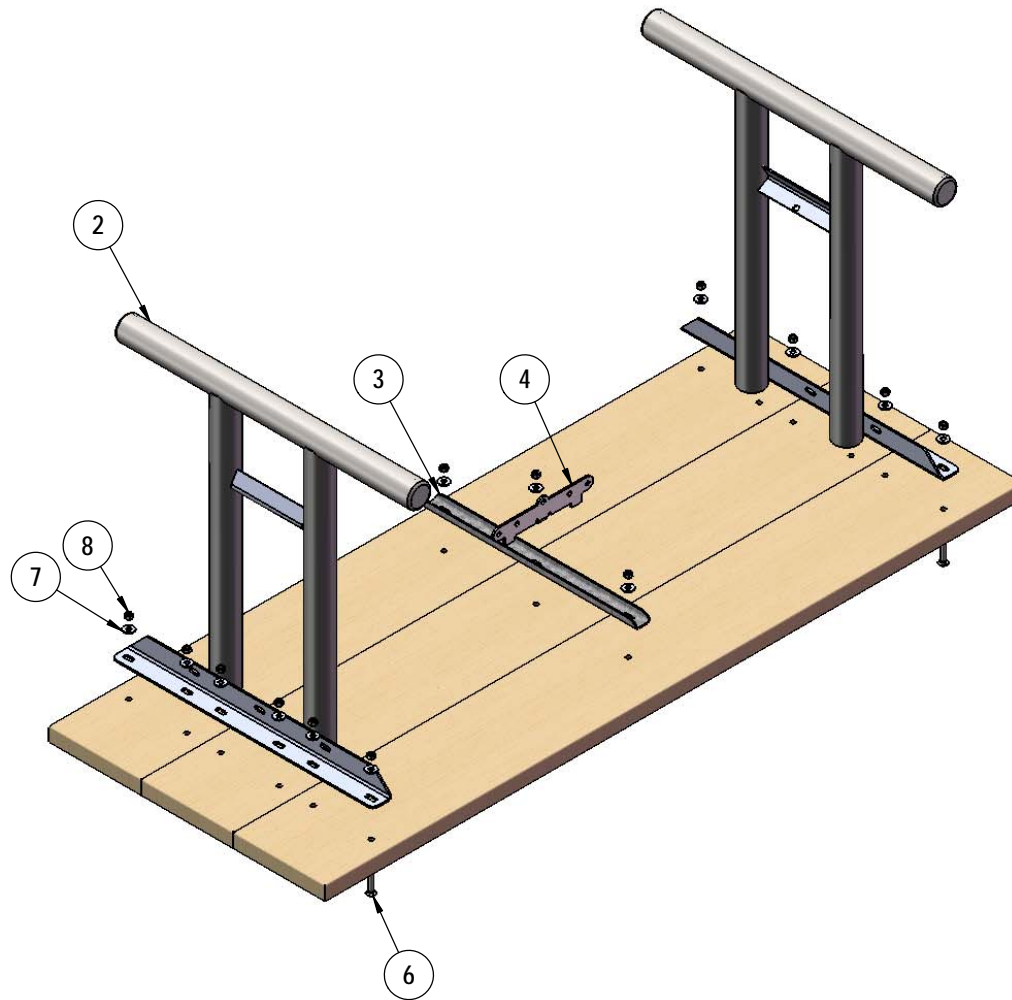
Dimensions: 6' portable utility table. Top is 28-1/2" wide x 72" long and is 30" high. Outside to outside dimension is 28-1/2" x 72".

COMPONENTS



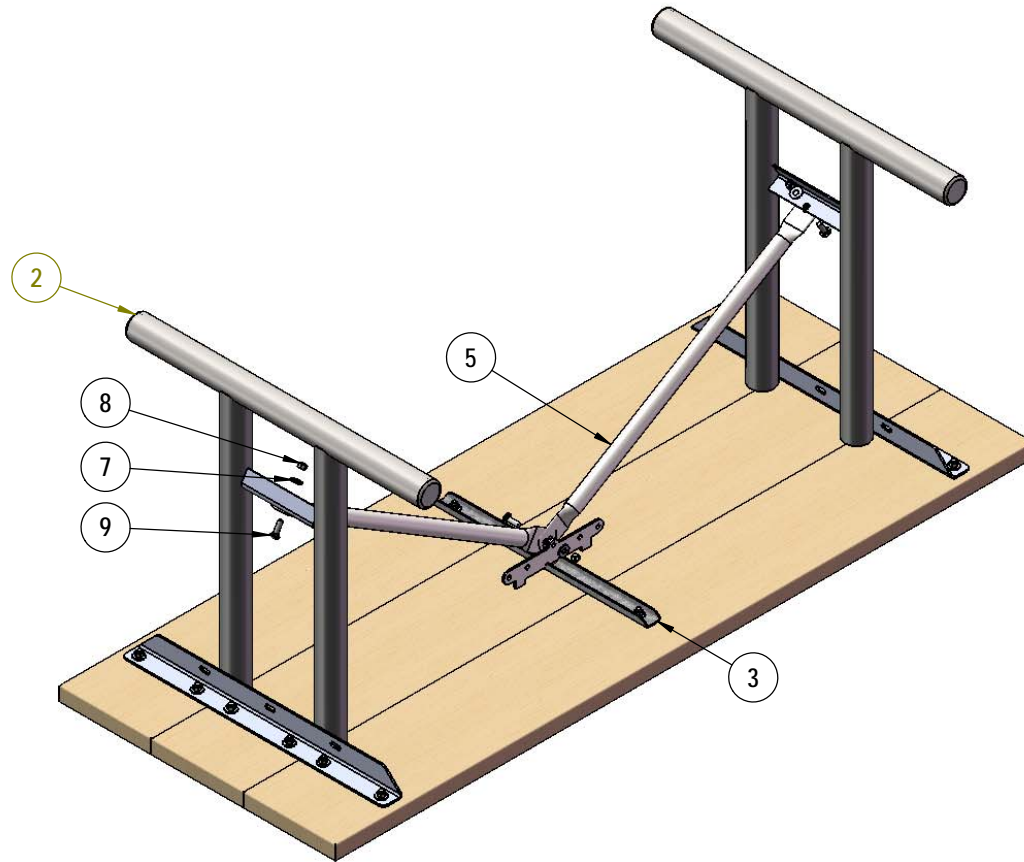
ITEM NO.	PartNo	DESCRIPTION	Qty.
1	XXX72-2x10-ST	2 x 10 Recycled Plastic Seat/Top Plank (6')	3
2	W238U-1	W238U-1 Utility Frame	2
3	01-04-0507	center c channel 3 slot (new)	1
4	01-04-0508	wood table center bracket	1
5	01-04-0509	33-3/16" wood brace	2
6	33-06-0016	3/8" x 2-1/4" Carriage Bolt (Zinc)	15
7	33-02-0002	3/8" Zinc Plated Washer	18
8	33-01-0002	3/8" Hex Nut (Zinc)	18
9	33-06-0032	3/8" x 1-1/4" Carriage Bolt (Zinc)	3

STEP 1



Insert the 3/8" x 2-1/4" Carriage Bolts through the Wood Planks. Attach the 238U Legs and the Center C-Channel to the Top boards. Attach the Wood Table Center Bracket using the center bolt in the middle plank.

STEP 2



Attach the 33-3/16" Braces to the Wood Center bracket and the 238 Frames as shown using specified hardware.

OVERALL DIMENSIONS

