



A PLAYCORE Company



Model # 258S-P4

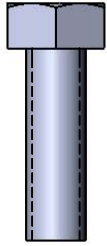


A PLAYCORE Company

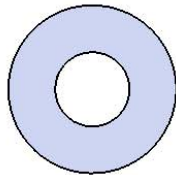
SAFETY WARNINGS & EQUIPMENT INSPECTION

- Owners and installers please note these safety warnings and make use of this checklist on a regular basis.
- Follow installation instructions when erecting equipment.
- Ground surfaces around equipment should be restored as needed. Concrete footings should never be exposed. Surface depth should comply with ASTM and CPSC specifications.
- Check for and repair damage caused by wear or vandalism, a major factor in injury causing situations.
- All protruding bolts should be covered or cut off and finished smooth. Sharp edges on pipes should be capped or removed. Check for bent, broken, or severely worn pipe, and replace.
- All equipment should be free of rust and repainted whenever necessary to deter rusting.
- We provide our customers with layout sheets and installation instructions. Please keep on file the specifications sheet that contains the listing of every part used.
- Never add components not intended for use with this product.
- Regular maintenance is necessary in this and all park and recreational equipment to insure the safety of the user.
- Note: Proper maintenance of equipment requires regular tightening of all bolts, nuts, and setscrews.
- Note: Regular checking of all parts, castings, etc. should be made. If a part is broken or worn, it should be replaced immediately.
- Check to be sure all fittings are tight and that bars and pipes do not move.
- Replace all worn S-hooks. S-hooks must be completely closed. Failure to close S-hooks can result in serious injury to the user. NEVER reuse S-hooks.
- Test for free movement of swing hanger and other moving attached parts.
- Check for worn chains and replace them.
- A soft resilient surface should be placed under all swings extending at least twice the height of the top rail both front and back.

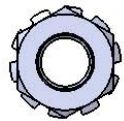
HARDWARE



5/16" Machine Bolt (SS)

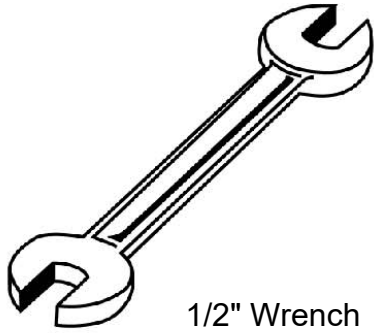


5/16" Flat Washer (SS)

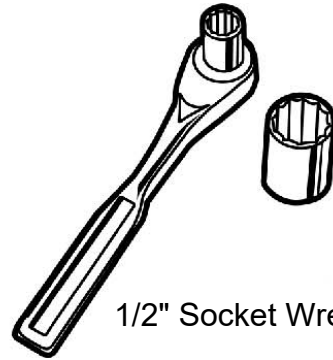


5/16" Kep Nut (SS)

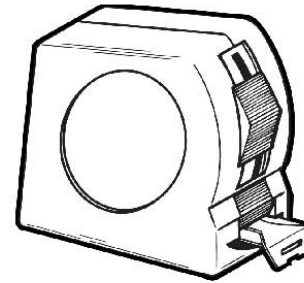
TOOLS REQUIRED



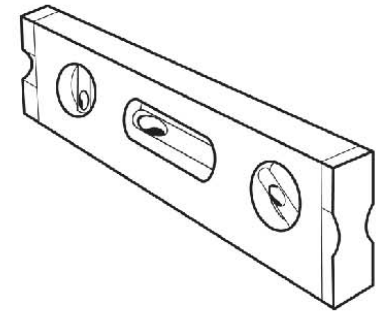
1/2" Wrench



1/2" Socket Wrench



Tape Measure



Level

ULTRA SITE PRODUCT SPECIFICATIONS

258S-P4 INGROUND BENCH WITH BACK

Seat and Legs: 12 gauge die formed flat steel plate is laser cut with 1" diameter holes and gorilla theme. Legs are fabricated from 1" diameter tubing. Mounting plates shall be made from 1/4" steel. All electrically MIG welded.

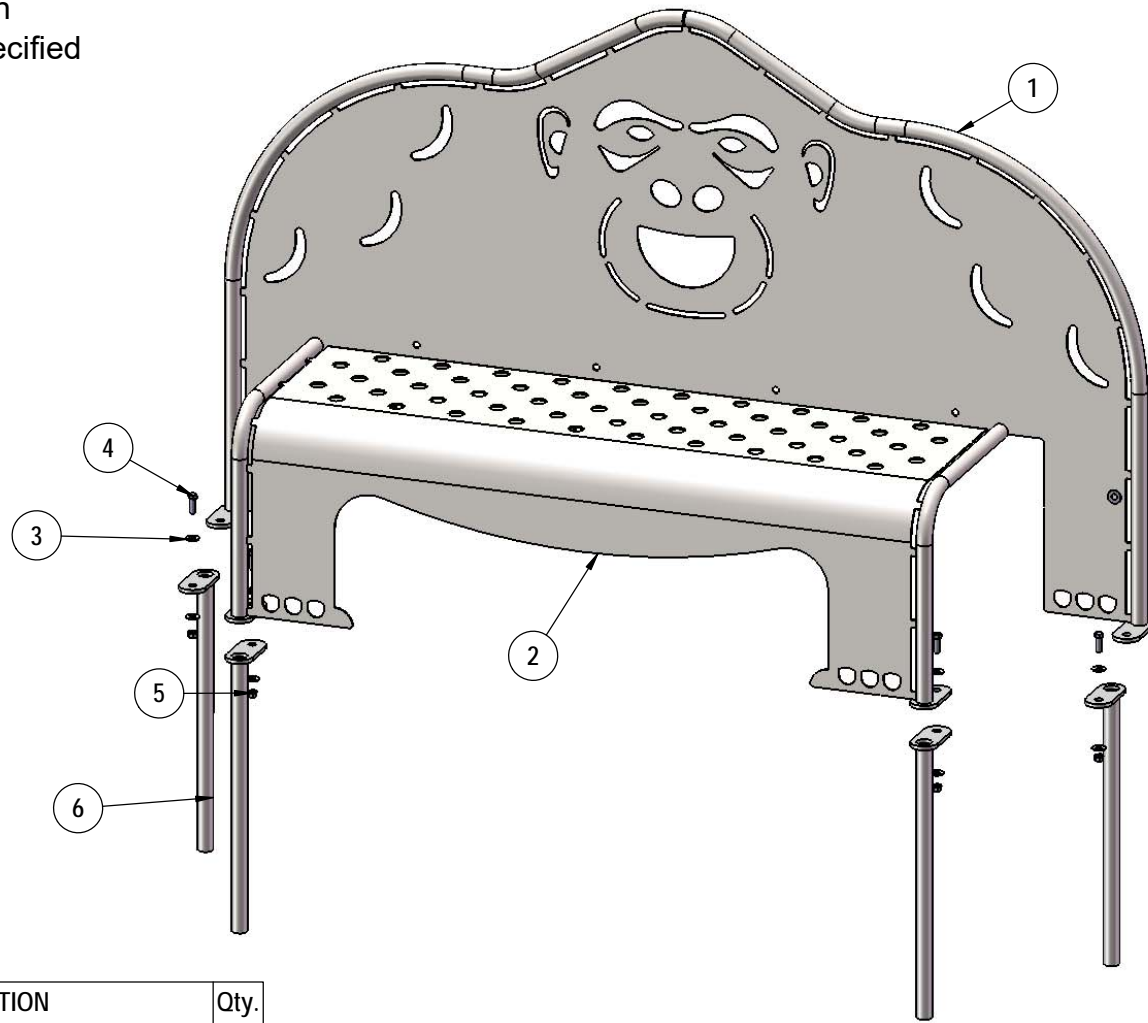
Coating: Steel is sandblasted to near white condition. Coated with zinc rich epoxy primer and top coated with electrostatic powder coat, oven cured.

Hardware: Hardware shall be stainless steel.

Dimensions: 4' inground bench with back. Seats are 13-9/16" wide x 46-3/4" long. Seat height is 13-13/16" from the ground to the top of the seat. The overall dimensions are 62-5/16" x 19-13/16" x 55-5/16"

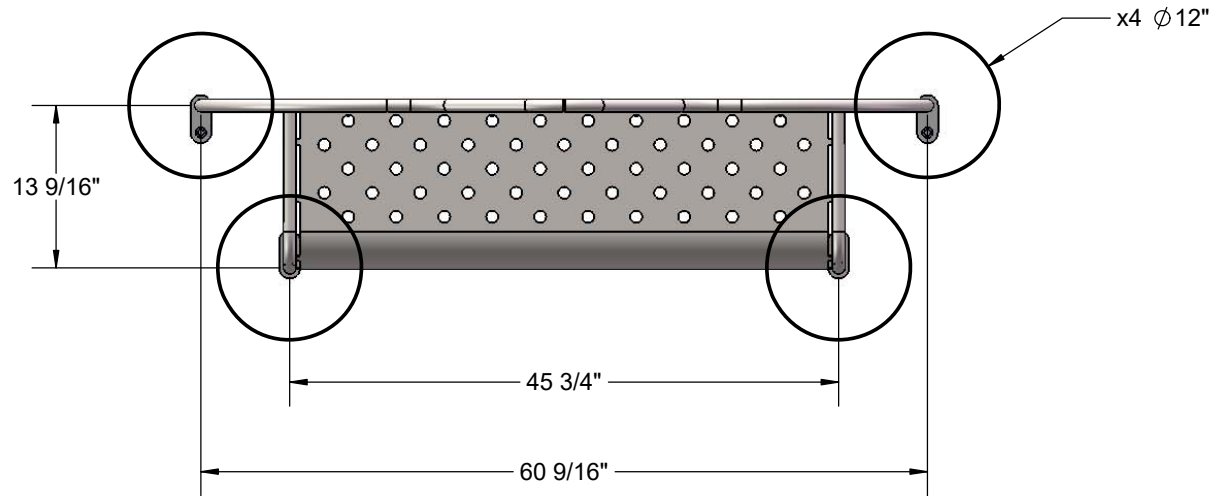
COMPONENTS

Attach the Seat to the Seat Back, then attach Inground Footers using the specified hardware.

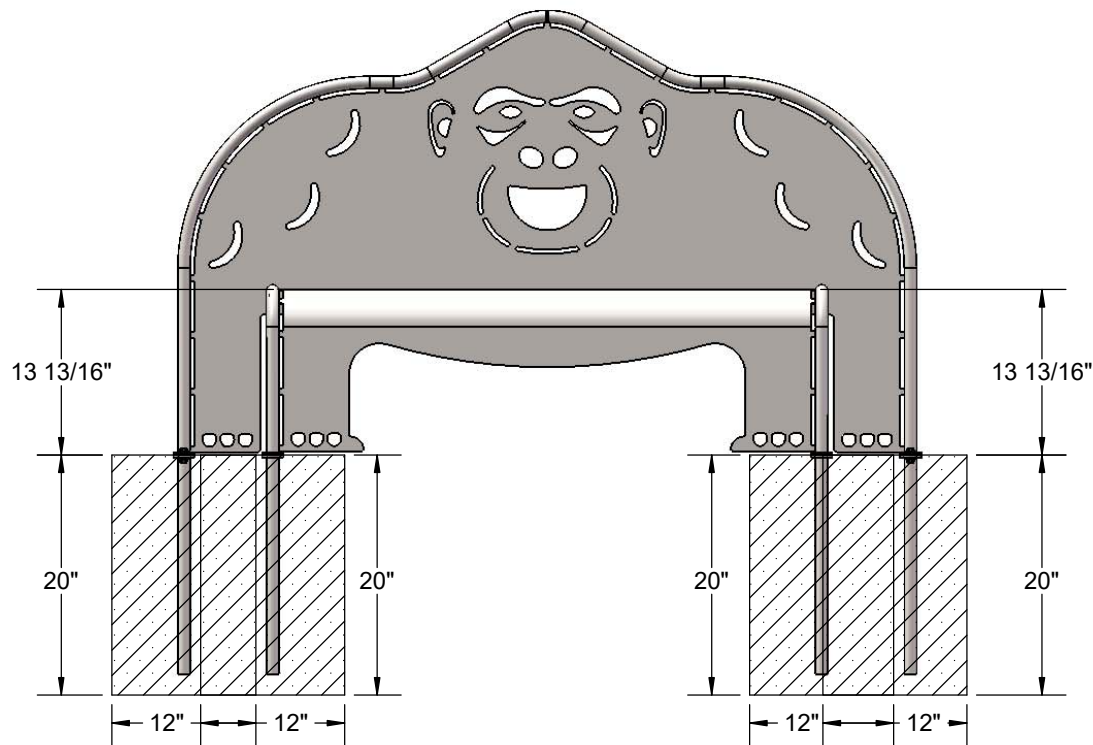


ITEM NO.	PartNo	DESCRIPTION	Qty.
1	04-01-0022	gorilla bench back	1
2	04-01-0023	gorilla bench seat	1
3	33-02-0007	5/16" SS Washer	16
4	33-05-0029	5/16" x 1" Machine Bolt (SS)	8
5	33-03-0012	5/16" Kep Nut (SS)	8
6	04-01-0029	gorilla-elephant inground footer	4

FOOTINGS



Estimated Required Concrete:
10 - 50lb Bags of Concrete Mix



OVERALL DIMENSIONS

