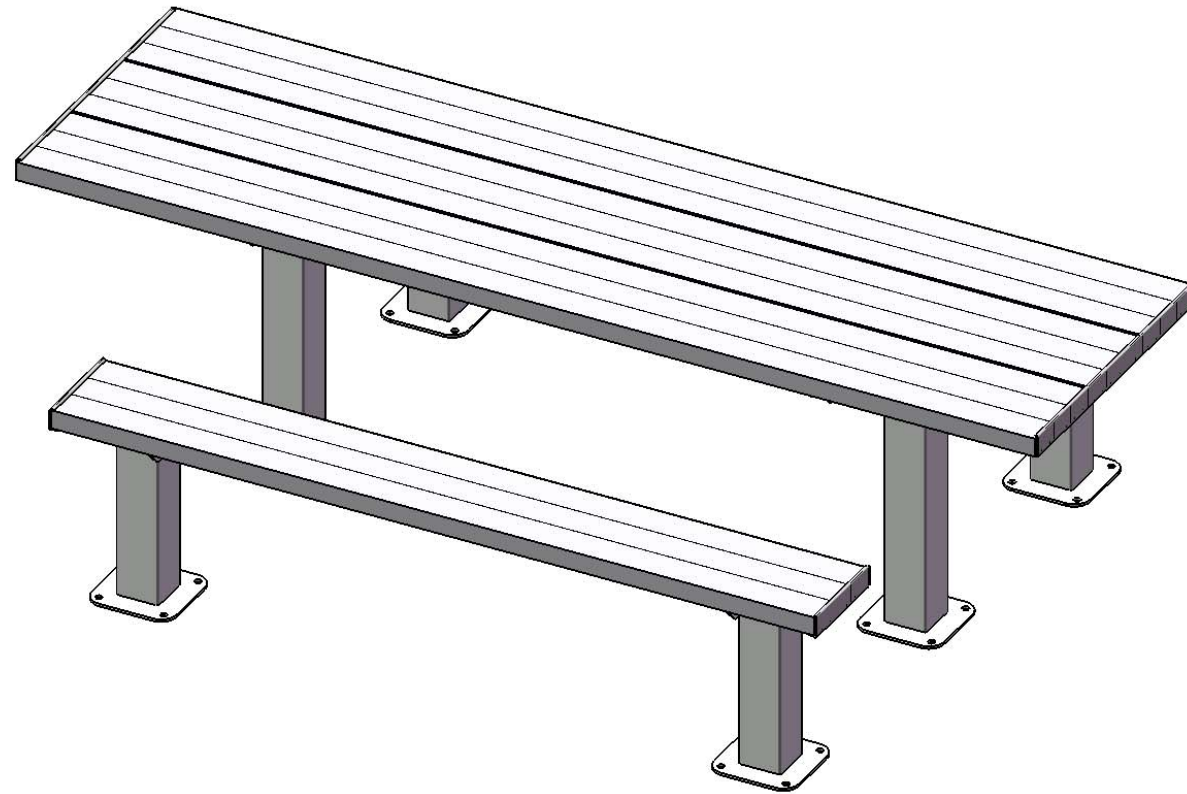




A PLAYCORE Company



Model # 349SMH-A8



A PLAYCORE Company

1675 Locust Street
Red Bud, IL 62278
Phone: 618-282-8200
Fax: 618-282-8202

WARRANTY & TERMS

WARRANTY: 5 Year Limited Warranty on Thermoplastic coated elements. Ultra Play guarantees all items for one full year to be free of defects in workmanship or materials when installed and maintained properly. We agree to repair or replace, any items determined to be defective. Items specifically not covered by this warranty include vandalism, man made or natural disasters, lack of maintenance, normal weathering or wear and tear due to public abuse.

Damages or loss in transit is the responsibility of the carrier, whether visible or concealed. It is the responsibility of the recipient to assure that the order is received complete. Before signing the delivery receipt, inspect the shipment immediately and completely. Note any damages or shortages on the bill of lading. Damage reports must be filed within 5 days. Ultra Play is NOT responsible for damages or loss in transit. Title to all goods passes to the customer at the time of shipment. Ultra Play will assist in filing claims if the freight arrangements were made by Ultra Play at your request.

CANCELLATIONS AND RETURNS: Cancellations are only accepted with approval of Ultra Play. No merchandise shall be returned without a Return Goods Authorization number which is issued by customer service. Any authorized merchandise must be carefully packed and received in saleable condition. A restocking charge of up to 25% will be applied to all returned goods when the error is not the fault of Ultra Play. All returns must be shipped freight prepaid.



A PLAYCORE Company

SAFETY WARNINGS & EQUIPMENT INSPECTION

- Owners and installers please note these safety warnings and make use of this checklist on a regular basis.
- Follow installation instructions when erecting equipment.
- Ground surfaces around equipment should be restored as needed. Concrete footings should never be exposed. Surface depth should comply with ASTM and CPSC specifications.
- Check for and repair damage caused by wear or vandalism, a major factor in injury causing situations.
- All protruding bolts should be covered or cut off and finished smooth. Sharp edges on pipes should be capped or removed. Check for bent, broken, or severely worn pipe, and replace.
- All equipment should be free of rust and repainted whenever necessary to deter rusting.
- We provide our customers with layout sheets and installation instructions. Please keep on file the specifications sheet that contains the listing of every part used.
- Never add components not intended for use with this product.
- Regular maintenance is necessary in this and all park and recreational equipment to insure the safety of the user.
- Note: Proper maintenance of equipment requires regular tightening of all bolts, nuts, and setscrews.
- Note: Regular checking of all parts, castings, etc. should be made. If a part is broken or worn, it should be replaced immediately.
- Check to be sure all fittings are tight and that bars and pipes do not move.
- Replace all worn S-hooks. S-hooks must be completely closed. Failure to close S-hooks can result in serious injury to the user. NEVER reuse S-hooks.
- Test for free movement of swing hanger and other moving attached parts.
- Check for worn chains and replace them.
- A soft resilient surface should be placed under all swings extending at least twice the height of the top rail both front and back.

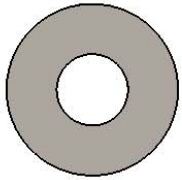
HARDWARE



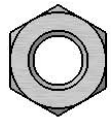
5/16" x 1-1/4"
Carriage Bolt



#8 1/2" SS Philips
Panhead Tek

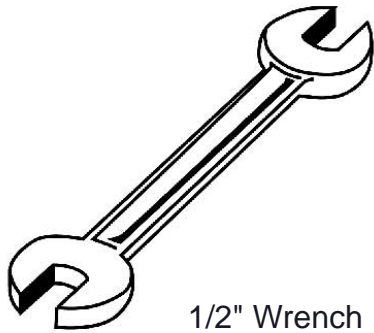


5/16" Washer

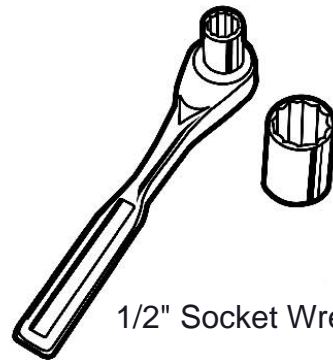


5/16" Hex Nut

TOOLS REQUIRED



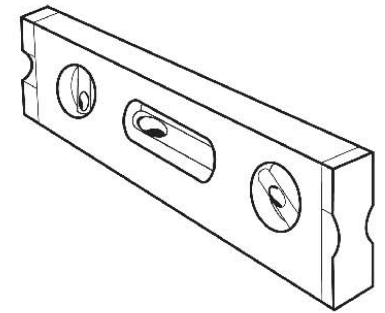
1/2" Wrench



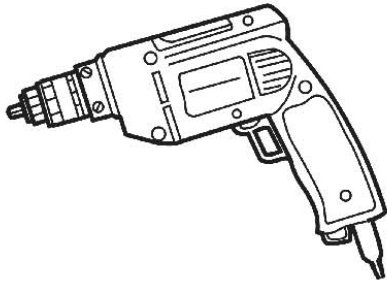
1/2" Socket Wrench



Tape Measure



Level



Drill with Phillips Bit

ULTRA SITE PRODUCT SPECIFICATIONS

349SMH-A8 **8' ACCESSIBLE SURFACE MOUNT PICNIC TABLE WALK-THROUGH DESIGN**

Top & Seats: Aluminum planking shall be 2"x10" with a minimum thickness of not less than .078" and a fluted non-skid surface. Planking shall be anodized 6063-T6 extruded aluminum alloy.

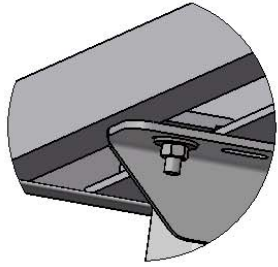
Frame: 4 x 4 x 11 gauge structural steel square tubing. Legs are capped with a 4 x 4 x 3/16" steel flat bar. Seat and top mounting points are 2" x 2" x 7 gauge steel angle. All tabletop and seat mounting brackets shall be precision punched. Surface mount plates are 8" x 8" x 1/4" thick. All electrically MIG welded.

Frame Coating: Electrostatic powder coated application oven cured.

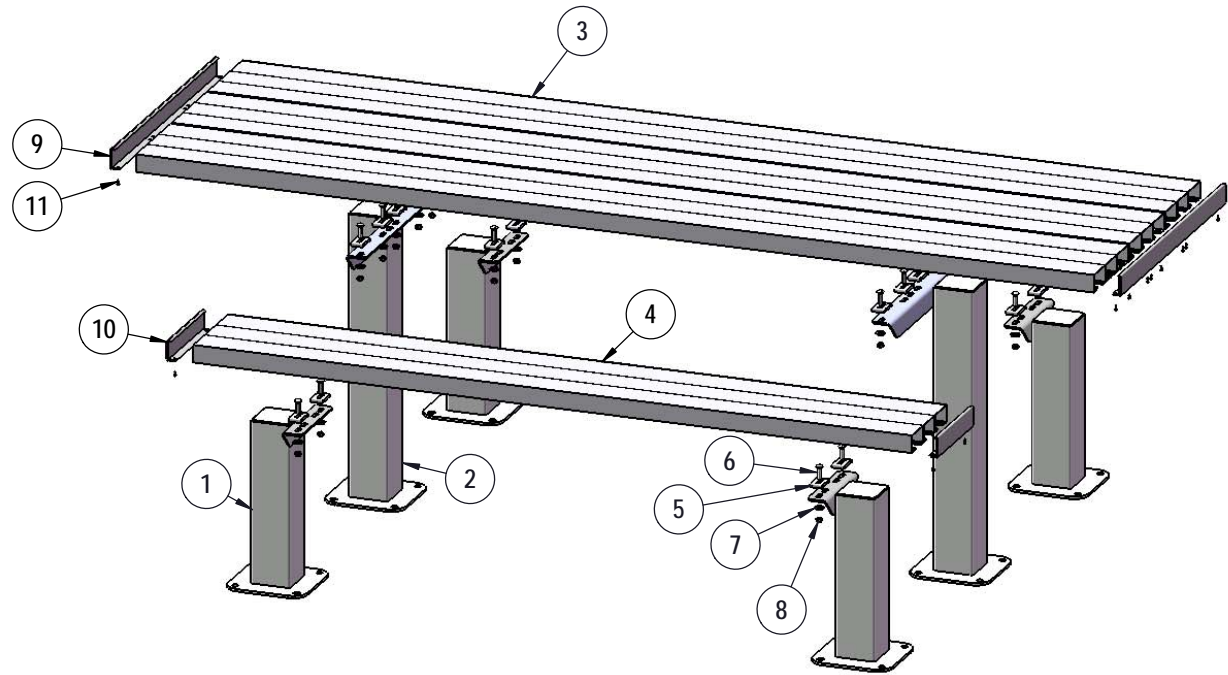
Hardware: All fasteners are hot dipped galvanized.

Dimensions: 8' accessible surface mount picnic table walk-through design. Top is 29-1/4" wide x 96" long and is 30-1/4" high. Seats are 9-3/4" wide x 72" long and 18-1/4" high. Outside to outside dimension is 63-1/4" x 96".

COMPONENTS



Clips hang on the inside of planks as shown above.

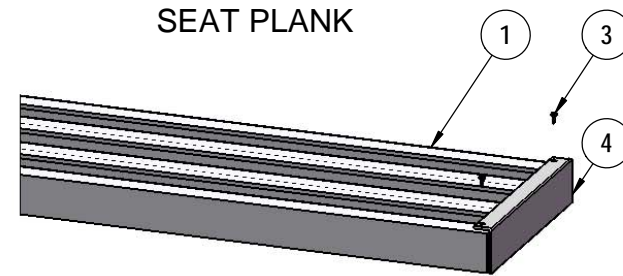
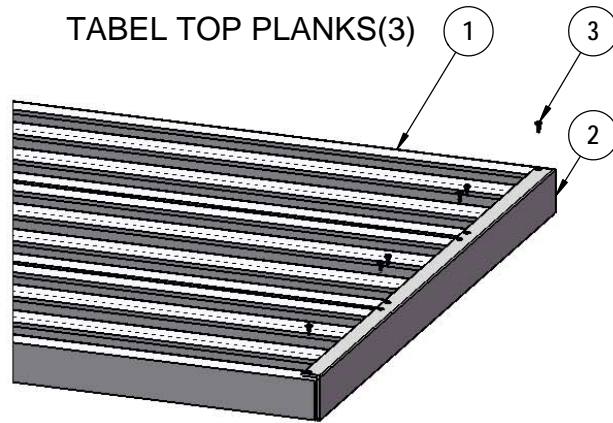


ITEM NO.	PartNo	DESCRIPTION	QTY.
1	P-W349SM-S	Wood 349SM Seat Leg	4
2	P-W349SM-T	Wood 349SM Top Leg	2
3	22-01-0070, 22-01-0071, or 22-01-0072	2x10x8' Alum. Planking(Clear Anodized, Green, or Tan)	3
4	22-01-0067, 22-01-0068, or 22-01-0069	2x10x6' Alum. Planking(Clear Anodized, Green, or Tan)	2
5	22-01-0062	Alum. Planking Clip	20
6	33-06-0001	5/16" x 1-1/4" Carriage Bolt (Zinc)	20
7	33-02-0001	5/16" Zinc Plated Washer	20
8	33-01-0001	5/16" Hex Nut (Zinc)	20
9	22-01-0066	Top End Cap	2
10	22-01-0065	Seat End Cap	4
11	33-05-0008	#8 1/2" SS Phillips Panhead Tek	20

Attach the Aluminum planks to the Top and Seat Legs as shown using specified hardware.

ALUMINUM PLANK CAP INSTALL

Attach Aluminum End Caps on ends of Aluminum Planks with the specified hardware.
 NOTE: The holes in End Cap will go on the bottom side of the planks.



ITEM NO.	PartNo	DESCRIPTION	Qty.	Qty.
1	22-01-00XX	Aluminum 2x10 Plank (clear anodized, green or tan)	3	1
2	22-01-0066	Top End Cap	2	-
3	33-05-0008	#8 1/2" SS Phillips Panhead Tek	12	4
4	22-01-0065	Seat End Cap	-	2

OVERALL DIMENSIONS

