



A PLAYCORE Company



Model # 413SMH2-RDR38



A PLAYCORE Company

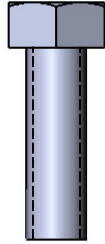
SAFETY WARNINGS & EQUIPMENT INSPECTION

- Owners and installers please note these safety warnings and make use of this checklist on a regular basis.
- Follow installation instructions when erecting equipment.
- Ground surfaces around equipment should be restored as needed. Concrete footings should never be exposed. Surface depth should comply with ASTM and CPSC specifications.
- Check for and repair damage caused by wear or vandalism, a major factor in injury causing situations.
- All protruding bolts should be covered or cut off and finished smooth. Sharp edges on pipes should be capped or removed. Check for bent, broken, or severely worn pipe, and replace.
- All equipment should be free of rust and repainted whenever necessary to deter rusting.
- We provide our customers with layout sheets and installation instructions. Please keep on file the specifications sheet that contains the listing of every part used.
- Never add components not intended for use with this product.
- Regular maintenance is necessary in this and all park and recreational equipment to insure the safety of the user.
- Note: Proper maintenance of equipment requires regular tightening of all bolts, nuts, and setscrews.
- Note: Regular checking of all parts, castings, etc. should be made. If a part is broken or worn, it should be replaced immediately.
- Check to be sure all fittings are tight and that bars and pipes do not move.
- Replace all worn S-hooks. S-hooks must be completely closed. Failure to close S-hooks can result in serious injury to the user. NEVER reuse S-hooks.
- Test for free movement of swing hanger and other moving attached parts.
- Check for worn chains and replace them.
- A soft resilient surface should be placed under all swings extending at least twice the height of the top rail both front and back.

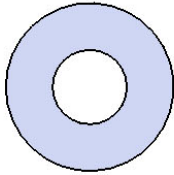
HARDWARE



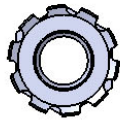
5/16" x 1-1/4" Lag Bolt



5/16" x 1"
Machine Bolt

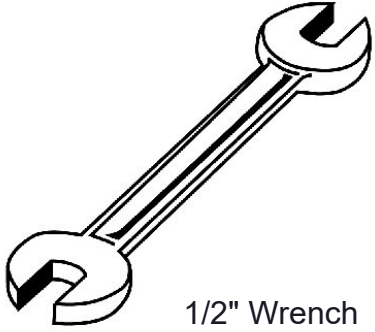


5/16" Flat Washer

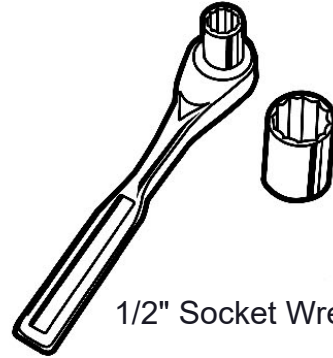


5/16" Kep Nut

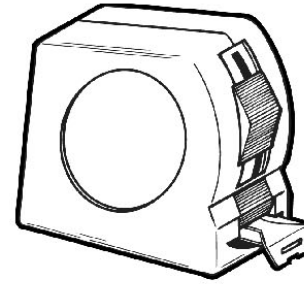
TOOLS REQUIRED



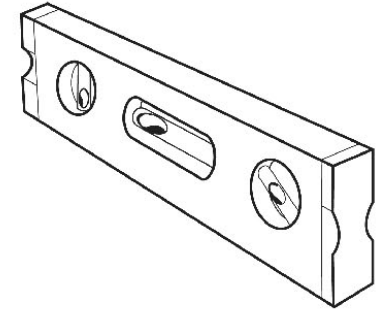
1/2" Wrench



1/2" Socket Wrench



Tape Measure



Level

ULTRA SITE PRODUCT SPECIFICATIONS

413SMH2-RDR38 DENALI ROUND SURFACE MOUNT TABLE, 2 SEAT

Seat: Minimum of 96% commingled post-consumer or post-industrial recycled plastic 2x4. With a maximum of 4% due to various additives including color and UV stabilization to obtain desirable properties.

Seat Frame: 2-3/8" O.D. x 10 gauge pre-galvanized structural steel tubing. Seat/back support is bent over a mandrel through the bend radius producing a wrinkle free bend. Tube ends are pre-galvanized steel capped. Support brackets are 7ga laser cut steel. A 6" x 6" steel plate makes up the surface mount footing. The surface mount plate has four holes for stable mounting and rounded corners for a more finished look. All electrically MIG welded.

Table Frame: 3-1/2" O.D. x 11 gauge pre-galvanized structural steel tubing. Support brackets are 7ga laser cut steel. A 16" x 16" steel plate makes up the surface mount footing. The surface mount plate has four holes for stable mounting and rounded corners for a more finished look. All electrically MIG welded.

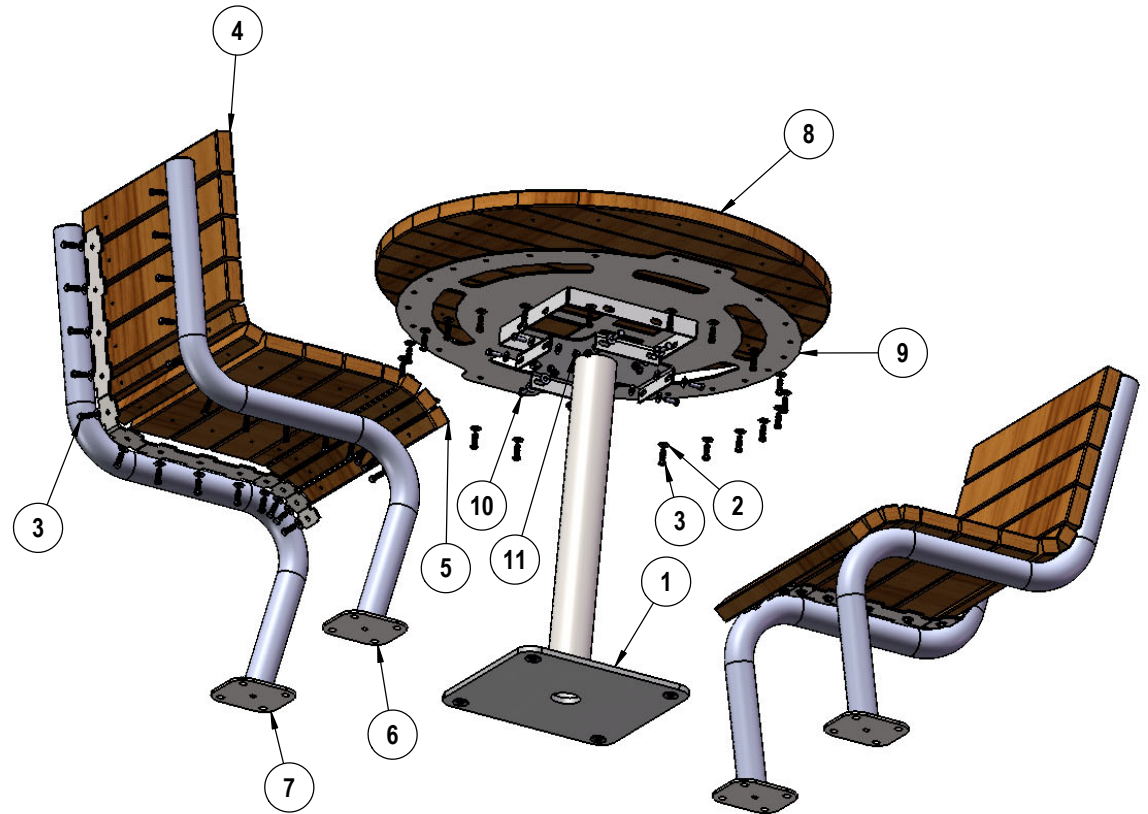
Coating: Steel is sandblasted to near white condition. Coated with zinc rich epoxy primer and top coated with electrostatic powder coat, oven cured.

Hardware: Hardware shall be stainless steel.

Dimensions: Seats are 24" wide x 26 1/4" long. Seat height is 20" from the ground to the top of the seat. Top is 38" in diameter. Top height is 32-1/8" from the ground to the top of the table. The overall dimensions are 90-9/16" x 38" x 36-5/8".

COMPONENTS

WARNING: Overtightening of lag bolts can cause damage to lumber.

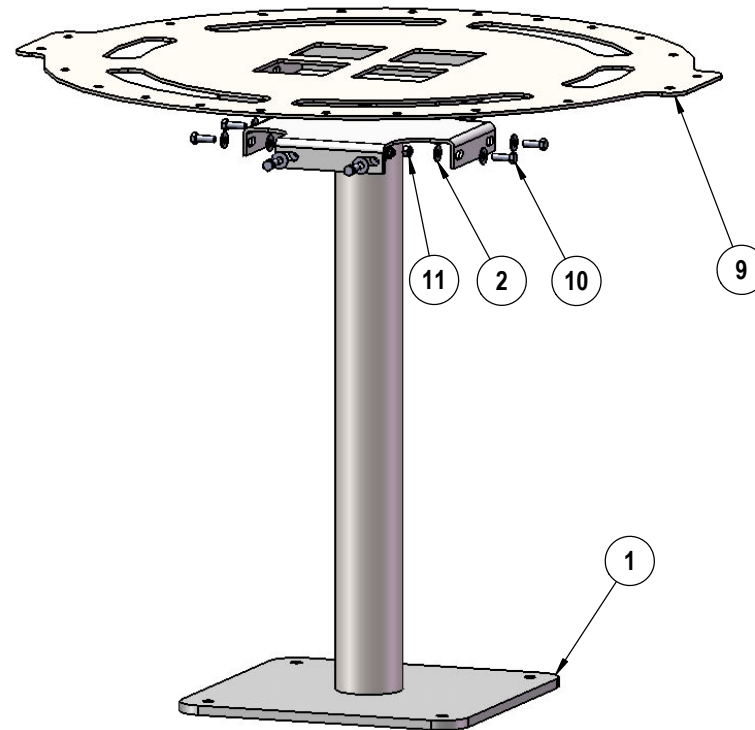


ITEM NO.	PartNo	DESCRIPTION	Qty.
1	01-04-0735	Denali 413 Table SM Leg	1
2	33-02-0007	5/16" SS Washer	90
3	33-05-0034	5/16" x 1-1/4" lag bolt, SS	74
4	WGR24-2x4-DB	2 x 4 Woodgrain Recycled Denali Bench Plank (2')	14
5	WGR24-2x2-DB	2 x 2 Woodgrain Recycled Denali Bench Plank (2')	12
6	01-01-1186	410 Denali Leg SM LH	2
7	01-01-1185	410 Denali Leg SM RH	2
8	01-04-0732	Routered Recycled Denali Round Top	1
9	01-04-0746	Denali Table Top Attachment Bracket-Round	1
10	33-05-0029	5/16" x 1" Machine Bolt (SS)	8
11	33-03-0012	5/16" Kep Nut (SS)	8

Required Surface Mount Hardware:
3/8" x 3-1/2" Concrete Expansion Anchor Bolts
(Not Included)

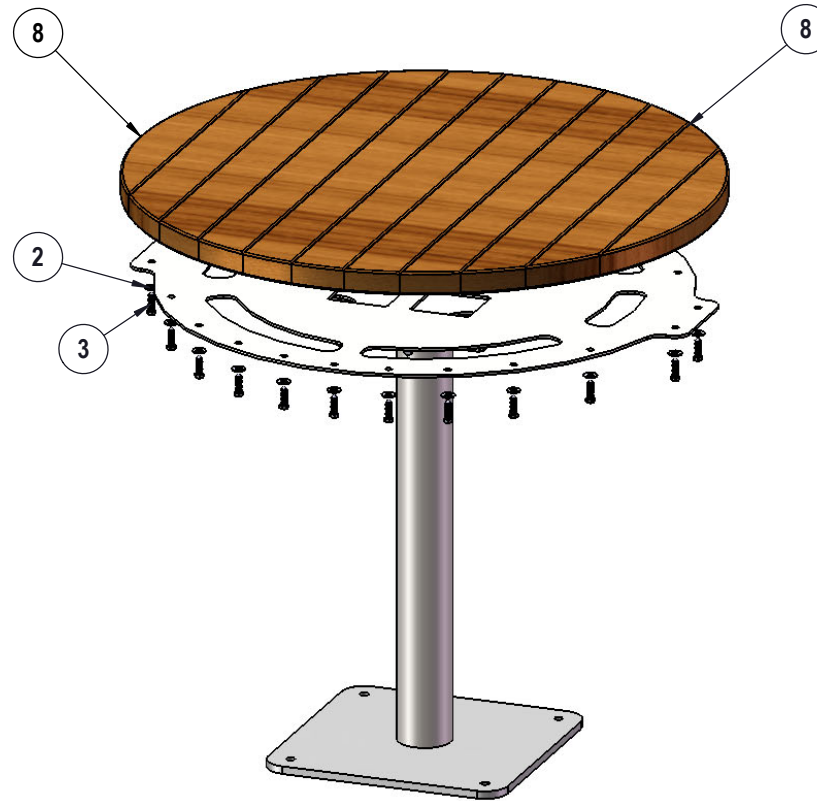
STEP 1

Attach the top attachment bracket to the table top leg as shown using specified hardware.



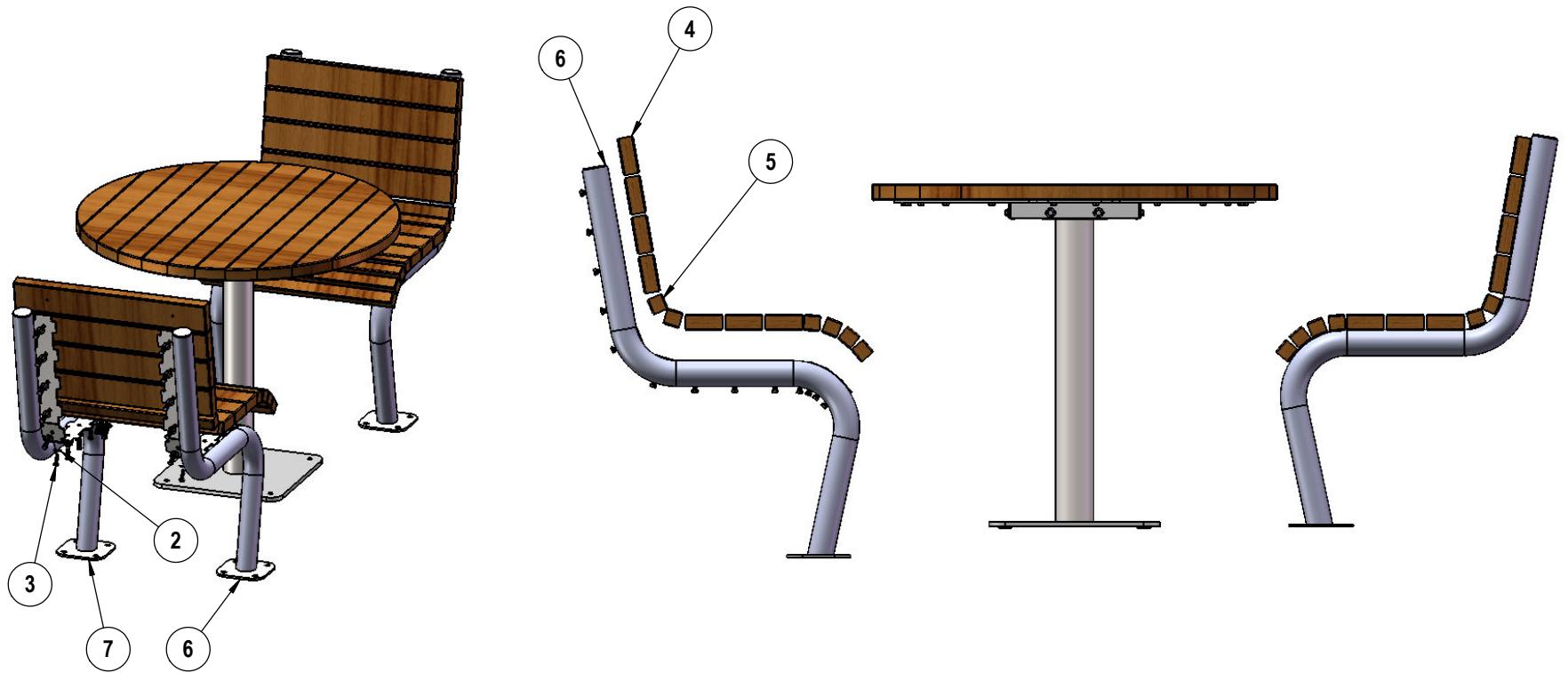
STEP 2

Attach each 2x4 board that make up the square table top to the top attachment bracket as shown using specified hardware,



STEP 3

Attach the 2x2 and 2x4 planks to the bench legs as shown below using specified hardware.
Please note 2x2 and 2x4 placement shown in the side view.
Repeat for each seat.



OVERALL DIMENSIONS

