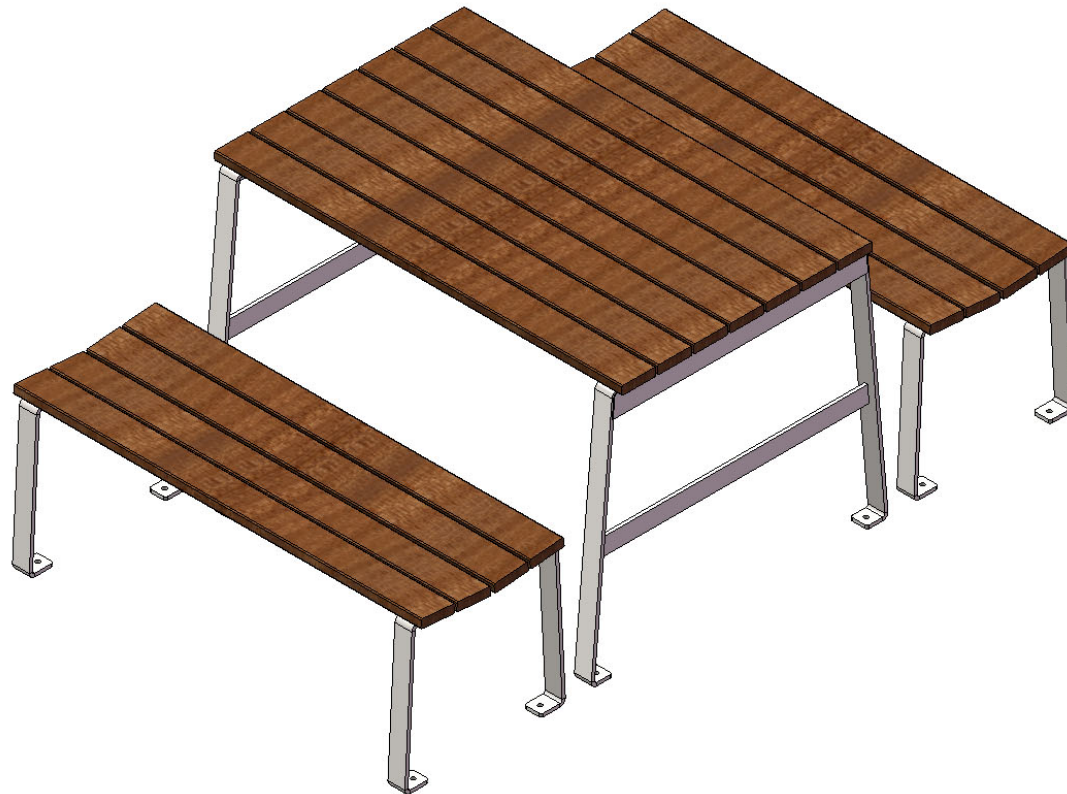




A PLAYCORE Company



Model # 422-TMA4



A PLAYCORE Company

## **SAFETY WARNINGS & EQUIPMENT INSPECTION**

- Owners and installers please note these safety warnings and make use of this checklist on a regular basis.
- Follow installation instructions when erecting equipment.
- Ground surfaces around equipment should be restored as needed. Concrete footings should never be exposed. Surface depth should comply with ASTM and CPSC specifications.
- Check for and repair damage caused by wear or vandalism, a major factor in injury causing situations.
- All protruding bolts should be covered or cut off and finished smooth. Sharp edges on pipes should be capped or removed. Check for bent, broken, or severely worn pipe, and replace.
- All equipment should be free of rust and repainted whenever necessary to deter rusting.
- We provide our customers with layout sheets and installation instructions. Please keep on file the specifications sheet that contains the listing of every part used.
- Never add components not intended for use with this product.
- Regular maintenance is necessary in this and all park and recreational equipment to insure the safety of the user.
- Note: Proper maintenance of equipment requires regular tightening of all bolts, nuts, and setscrews.
- Note: Regular checking of all parts, castings, etc. should be made. If a part is broken or worn, it should be replaced immediately.
- Check to be sure all fittings are tight and that bars and pipes do not move.
- Replace all worn S-hooks. S-hooks must be completely closed. Failure to close S-hooks can result in serious injury to the user. NEVER reuse S-hooks.
- Test for free movement of swing hanger and other moving attached parts.
- Check for worn chains and replace them.
- A soft resilient surface should be placed under all swings extending at least twice the height of the top rail both front and back.

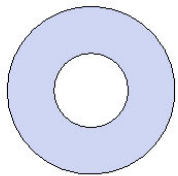
# HARDWARE



5/16" x 1-1/4"  
Lag Bolt

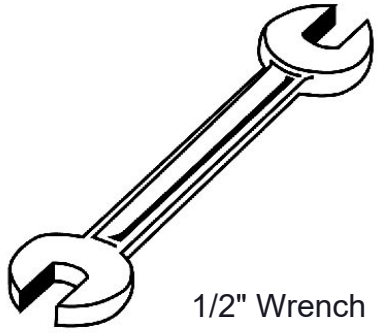


5/16" x 1"  
Lag Bolt

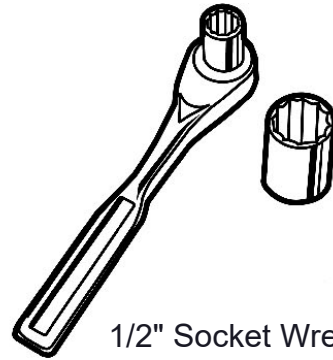


5/16" Washer

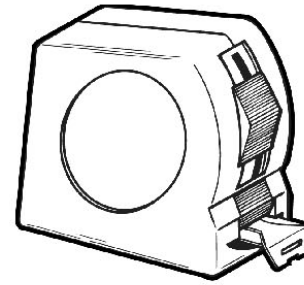
## TOOLS REQUIRED



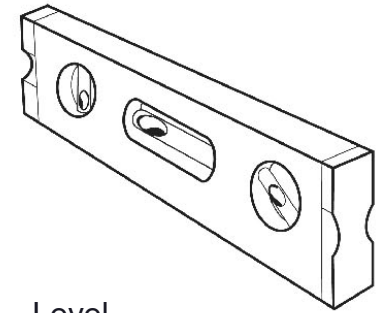
1/2" Wrench



1/2" Socket Wrench



Tape Measure



Level

# ULTRA SITE PRODUCT SPECIFICATIONS

## **422-TMA4 NEW HAVEN 4' TABLE- THERMALLY MODIFIED ASH**

**Seats & Table:** Seats and table are made from 1" x 4" Thermally Modified Ash Wood Planks. Anchorseal is immediately applied to each end after cut to prevent splitting. Planks are wiped with Acetone and then coated with a Penofin Rosewood Oil finish.

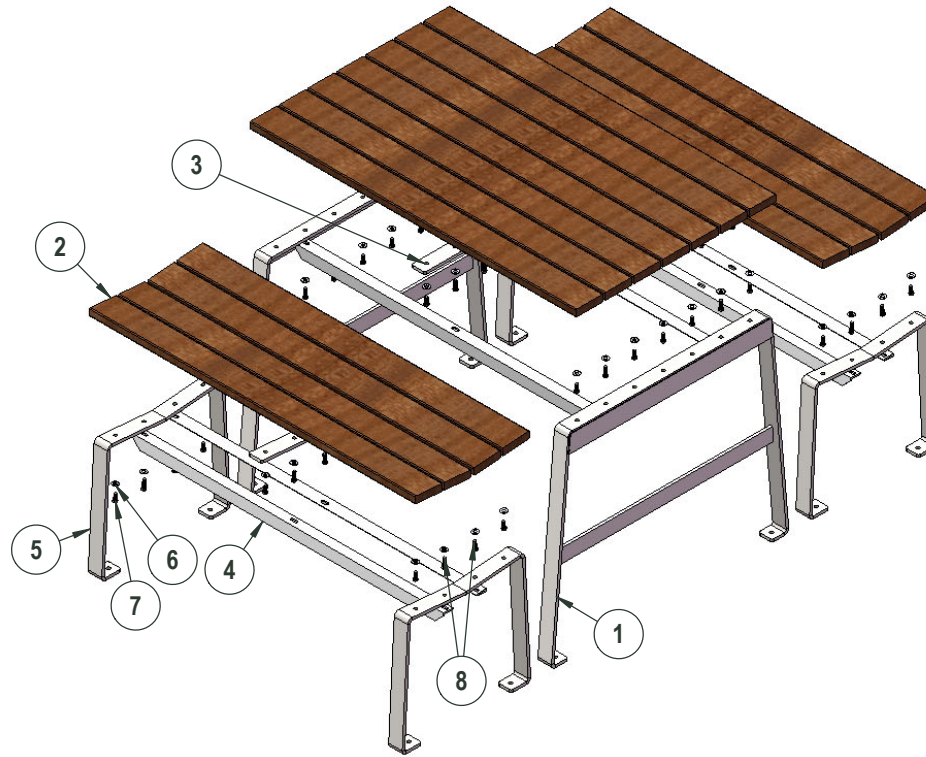
**Legs:** Legs are fabricated from 3/8" laser cut and formed plate. Support plates are made of 3/8" laser cut plate. All electrically MIG welded.

**Coating:** Steel is sandblasted to near white condition. Coated with zinc rich epoxy primer and top coated with electrostatic powder coat, oven cured.

**Hardware:** Hardware shall be stainless steel.

**Dimensions:** 4' table. Seats are 17-1/4" wide x 48" long. Seat height is 18" from the ground to the top of the seat. Table height is 30" from the ground to the top of the seat The overall dimensions are 48" x 78-15/16" x 30"

# COMPONENTS

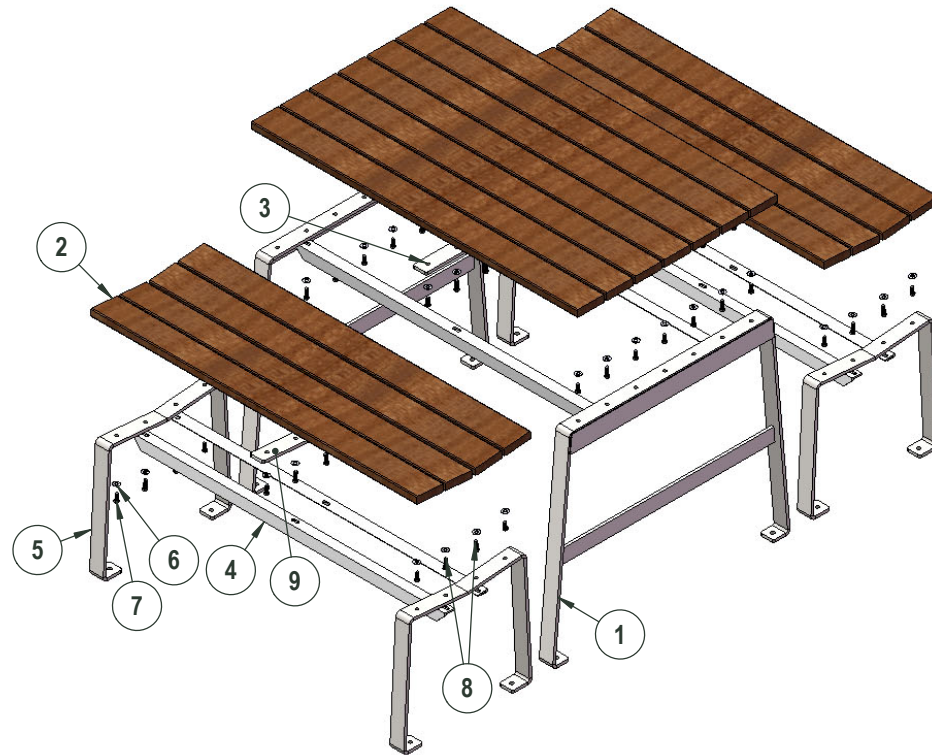


ITEM NO.	PartNo	DESCRIPTION	Qty.
1	01-04-0856	422 table leg	2
2	01-01-1228	1" x 4" x 48" Long TMA Wood Plank	15
3	01-04-0857	422 table support plate	1
4	01-01-1373	4' TMA angle support	6
5	01-01-1371	421 bench leg	4
6	33-02-0007	5/16" SS Washer	45
7	33-05-0067	5/16" x 1" lag bolt, SS	27
8	33-05-0034	5/16" x 1-1/4" lag bolt, SS	18
9	01-01-1372	421 seat support plate	2

Optional Surface Mount Hardware:  
 3/8" x 3" Concrete Expansion Anchor Bolt  
 (Not Included)

# ASSEMBLY

- STEP 1: Attach the TMA planks to the legs as shown using specified hardware.
- STEP 2: Attach the support brackets to the center of the TMA planks as shown using specified hardware.



# OVERALL DIMENSIONS

