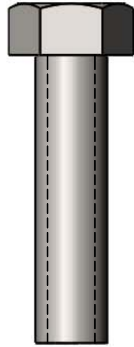


Model # 81CS-HS6

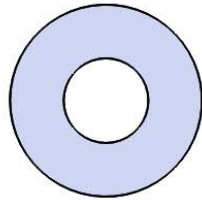
SAFETY WARNINGS & EQUIPMENT INSPECTION

- Owners and installers please note these safety warnings and make use of this checklist on a regular basis.
- Follow installation instructions when erecting equipment.
- Ground surfaces around equipment should be restored as needed. Concrete footings should never be exposed. Surface depth should comply with ASTM and CPSC specifications.
- Check for and repair damage caused by wear or vandalism, a major factor in injury causing situations.
- All protruding bolts should be covered or cut off and finished smooth. Sharp edges on pipes should be capped or removed. Check for bent, broken, or severely worn pipe, and replace.
- All equipment should be free of rust and repainted whenever necessary to deter rusting.
- We provide our customers with layout sheets and installation instructions. Please keep on file the specifications sheet that contains the listing of every part used.
- Never add components not intended for use with this product.
- Regular maintenance is necessary in this and all park and recreational equipment to insure the safety of the user.
- Note: Proper maintenance of equipment requires regular tightening of all bolts, nuts, and setscrews.
- Note: Regular checking of all parts, castings, etc. should be made. If a part is broken or worn, it should be replaced immediately.
- Check to be sure all fittings are tight and that bars and pipes do not move.
- Replace all worn S-hooks. S-hooks must be completely closed. Failure to close S-hooks can result in serious injury to the user. NEVER reuse S-hooks.
- Test for free movement of swing hanger and other moving attached parts.
- Check for worn chains and replace them.
- A soft resilient surface should be placed under all swings extending at least twice the height of the top rail both front and back.

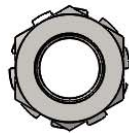
HARDWARE



3/8" x 1-1/2"
MACHINE BOLT

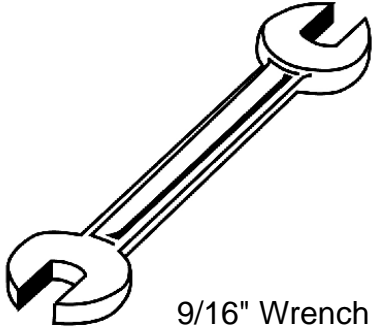


3/8" FLAT WASHER



3/8" KEPNUT

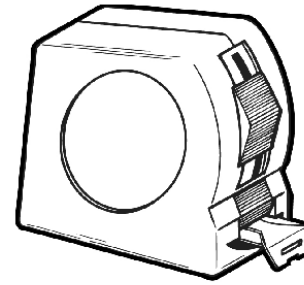
TOOLS REQUIRED



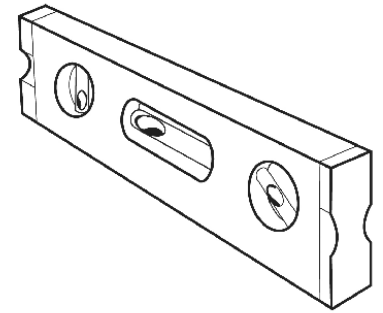
9/16" Wrench



9/16" Socket Wrench



Tape Measure



Level

PRODUCT SPECIFICATIONS

81CS-HS6 INGROUND MOUNT BENCH

Seat & Back: Both are fabricated from 1 ½" x ¼" flat steel strips. Reinforced with 1/4" thick support ribs. End Planks are made from 1-1/2" x 3-1/2" steel oval tubing.

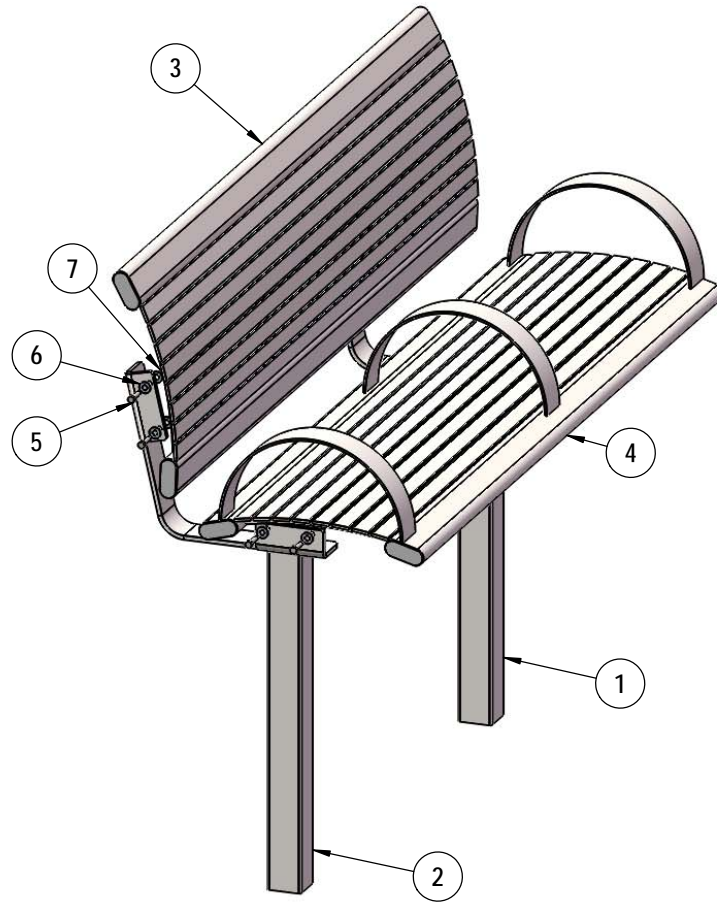
Frame: 3" x 3" square x11 gauge structural steel tubing. All electrically MIG welded.

Coating: Electrostatic powder coated application oven cured.

Dimensions: 6' inground bench with back. Seat is 20" wide x 71" long. Seat height is 18" from the ground to the top of the seat. The overall dimensions are 71" x 25-11/16" x 51-5/16"

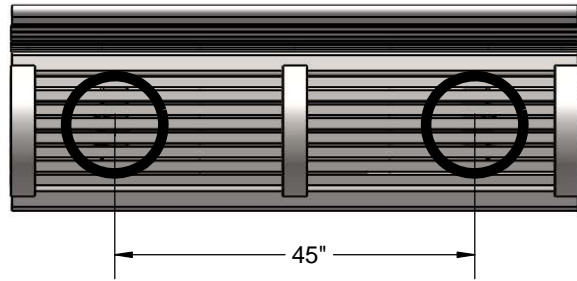
COMPONENTS

Attach the 81 series seats to the 81 Frames using specified hardware.

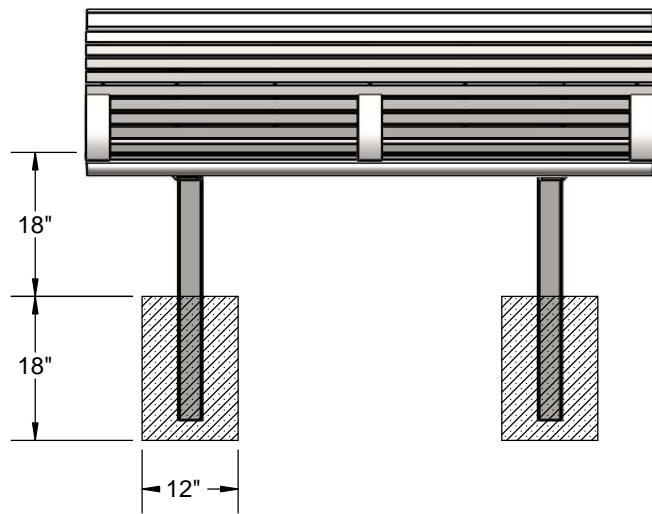


ITEM NO.	PartNo	DESCRIPTION	QTY.
1	P-01-01-0670	81 Series S Leg-Left	1
2	P-01-01-0412	81 Series S Leg-Right	1
3	P-01-01-0415	81/82 Series Seat	1
4	P-01-01-0420	81/82 Series Seat w/ armrests	1
5	33-05-0049	3/8" x 1 1/2" Machine Bolt (SS)	8
6	33-02-0008	3/8" Flat Washer (SS)	16
7	33-03-0013	3/8" Kep Nut (SS)	8

FOOTING DETAILS



Estimated Required Concrete:
7 - 50lb Bags of Concrete Mix



OVERALL DIMENSIONS

